





RC-ELEMENT, AC 24...48 V,DC 24...70 V, SURGE SUPPRESSOR, FOR MOUNTING ONTO CONTACTORS SIZES00 WITHOUT/WITH AUX. SWITCH BLOCKS



Figure similar

General technical data:		
product brand name		SIRIUS
Product designation		surge suppressor
Design of the surge suppressor		with RC elements
Control circuit/ Control:		
Type of voltage of the control supply voltage		AC/DC
Control supply voltage frequency		
• 1 rated value	Hz	50
• 2 rated value	Hz	60
Control supply voltage 1		
• at DC		
— Initial rated value	V	24
— Final rated value	V	70
• at AC		
— at 50 Hz Initial rated value	V	24
— at 50 Hz Final rated value	V	48
— at 60 Hz Final rated value	V	48
— at 60 Hz Initial rated value	V	24

Certificates/ approvals:

General Product Approval		Functional Safety/Safety of Machinery	Declaration of Conformity	Test Certificates
 CSA	 UL		Baumusterprüfbescheinigung	spezielle Prüfbescheinigung n
			 EG-Konf.	

Shipping Approval



Shipping Approval

other



Further information

Information- and Downloadcenter (Catalogs, Brochures,...)

<http://www.siemens.com/industrial-controls/catalogs>

Industry Mall (Online ordering system)

<http://www.siemens.com/industrymall>

Cax online generator

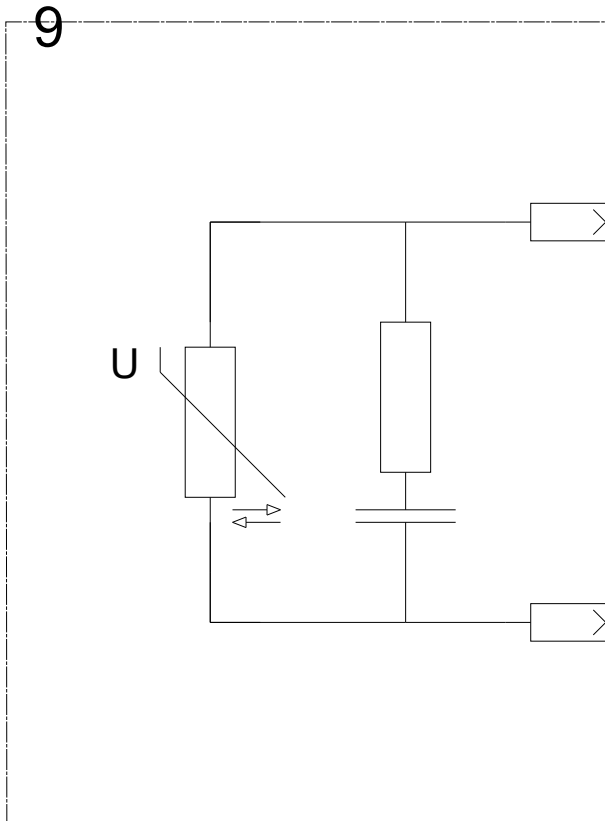
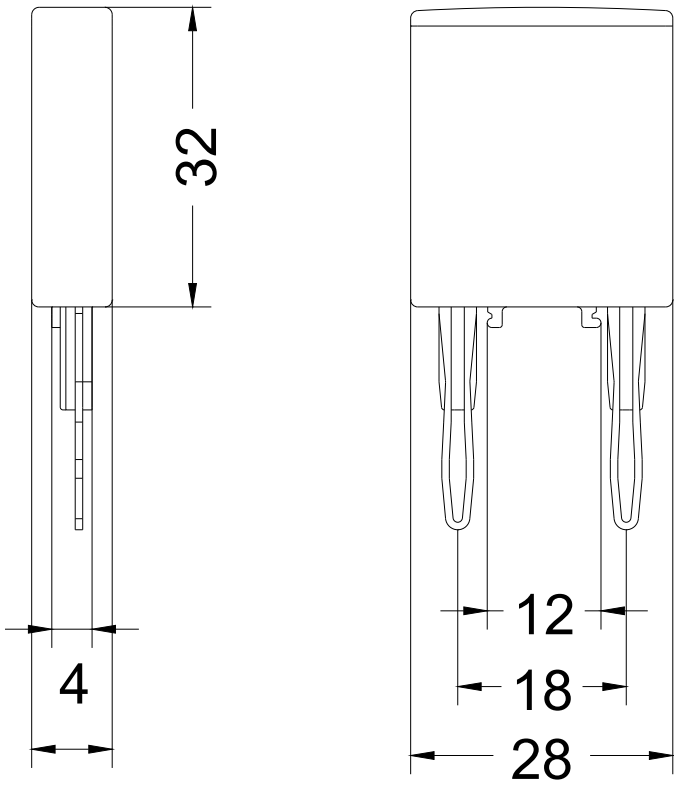
<http://support.automation.siemens.com/WW/CAXorder/default.aspx?lang=en&mfb=3RT19161CB00>

Service&Support (Manuals, Certificates, Characteristics, FAQs,...)

<https://support.industry.siemens.com/cs/ww/en/ps/3RT19161CB00>

Image database (product images, 2D dimension drawings, 3D models, device circuit diagrams, EPLAN macros, ...)

http://www.automation.siemens.com/bilddb/cax_de.aspx?mfb=3RT19161CB00&lang=en



last modified:

06.06.2016