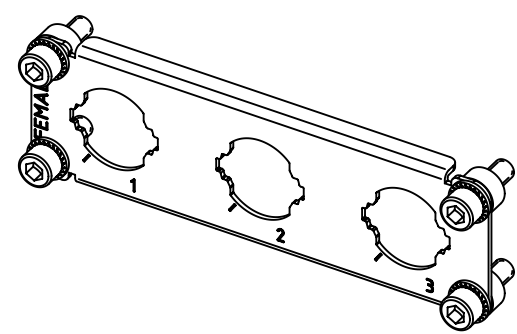
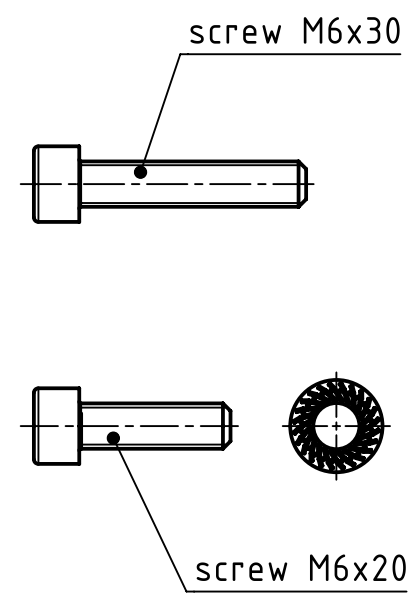
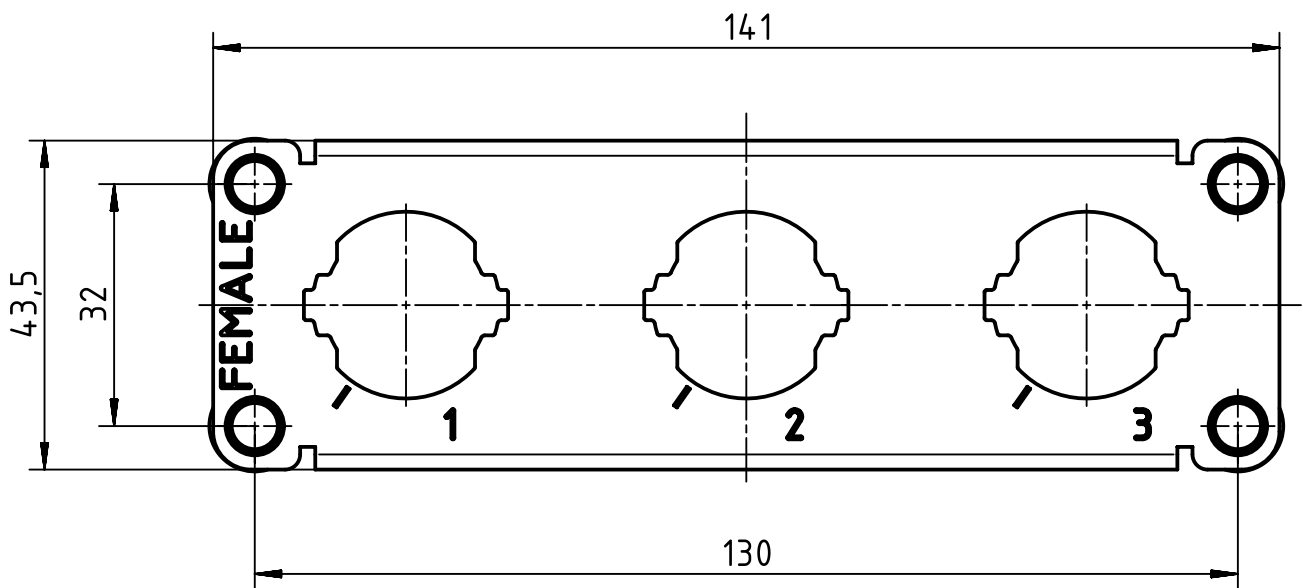
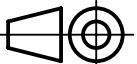



1 2 3 4 5 6

A
B
C
D



 All Dimensions in mm Original Size DIN A4	Scale	Free size tol.		Ref.	
	1:1			Sub.	
 All rights reserved Department EL PD - DE	Created by	Inspected by	Standardisation	Date	State
	RULLKOETTER	SUNDERMEIER	TIEMANNA	2014-07-30	Final Release
HARTING Electric GmbH & Co. KG D-32339 Espelkamp	Title			Doc-Key / ECM-Nr.	
	Han 3HC-frame enlarged 250-female			100587207/UGD/001/A 500000078358	
Type		Number		Rev.	Page
TB		09 11 000 9932		A	1/1