

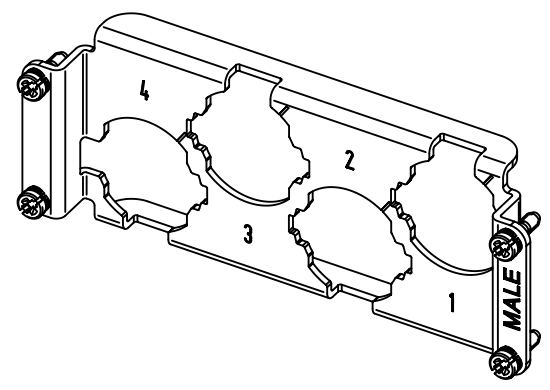
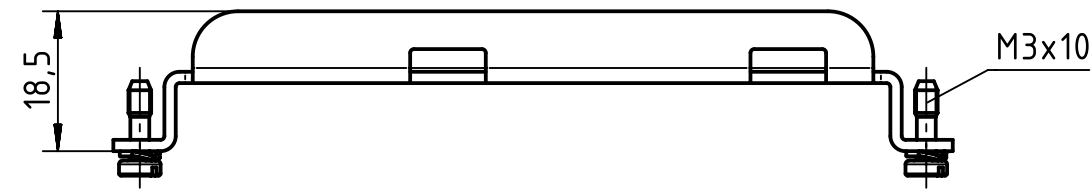
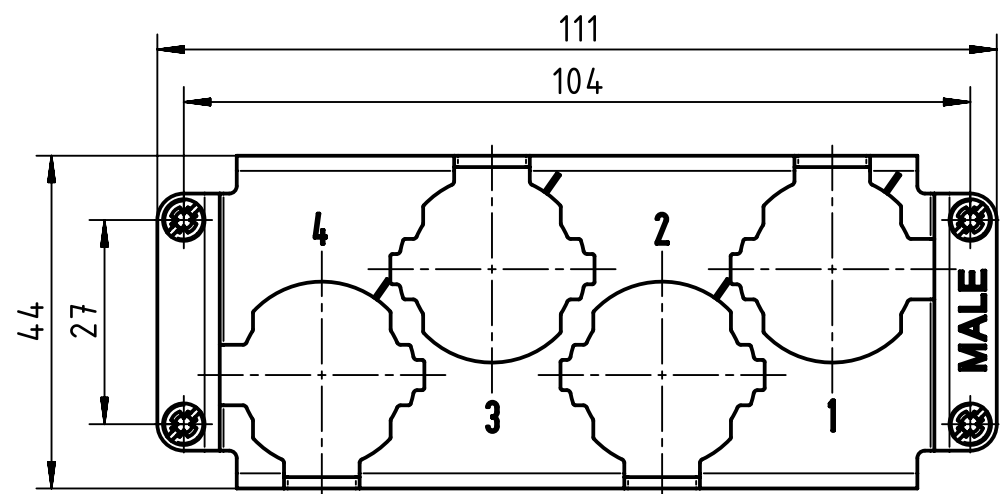
1                      2                      3                      4                      5                      6


A

B

C

D



|   |  |  |                          |                             |                             |  |                        |
|---|--|--|--------------------------|-----------------------------|-----------------------------|--|------------------------|
|  | All Dimensions in mm<br>Original Size DIN A4 |  | Scale<br>1:1             | Free size tol.              |                             | Ref.   |                        |
|   | All rights reserved<br>Department EL PD - DE |  | Created by<br>HOLLERT    | Inspected by<br>SUNDERMEIER | Standardisation<br>TIEMANNA | Date<br>2014-01-14                                       | State<br>Final Release |
| HARTING Electric GmbH & Co. KG<br>D-32339 Espelkamp                                 |  |  | Title<br>Frame 4xHC250-M |                             |                             | Doc-Key / ECM-Nr.<br>100562371/UGD/002/A<br>500000070226 |                        |
|   |  |  | Type<br>TB               | Number<br>09 11 000 9941    |                             | Rev.<br>A  | Page<br>1/1            |