

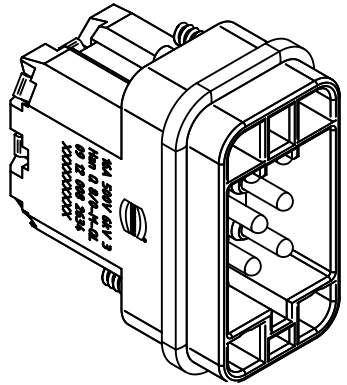
9,1,7

16A 500V 6kV 3
Han Q 8/0-M-QL
09 12 008 2634
XXXXXXXXXX



self-tapping screw
ISO 7049-ST 2,9x9,5-F-H

seal



Coating	A=	mm ²	V=	mm ³	m=	g	Mat.
	All Dimensions in mm Original Size DIN A4		Scale 2:1	Free size tol.			Ref. Sub.
	All rights reserved Department EL PD - DE		Created by FINKEV	Inspected by BERGHORN	Standardisation TIEMANNA	Date 2015-06-24	State Final Release
HARTING Electric GmbH & Co. KG D-32339 Espelkamp			Title Han Q8/0-M-QL 1,5mm ² fine strand wire			Doc-Key / ECM-Nr. 100216015/UGD/002/B 500000089177	
			Type TB	Number 09 12 008 2634		Rev. B	Page 1/1