

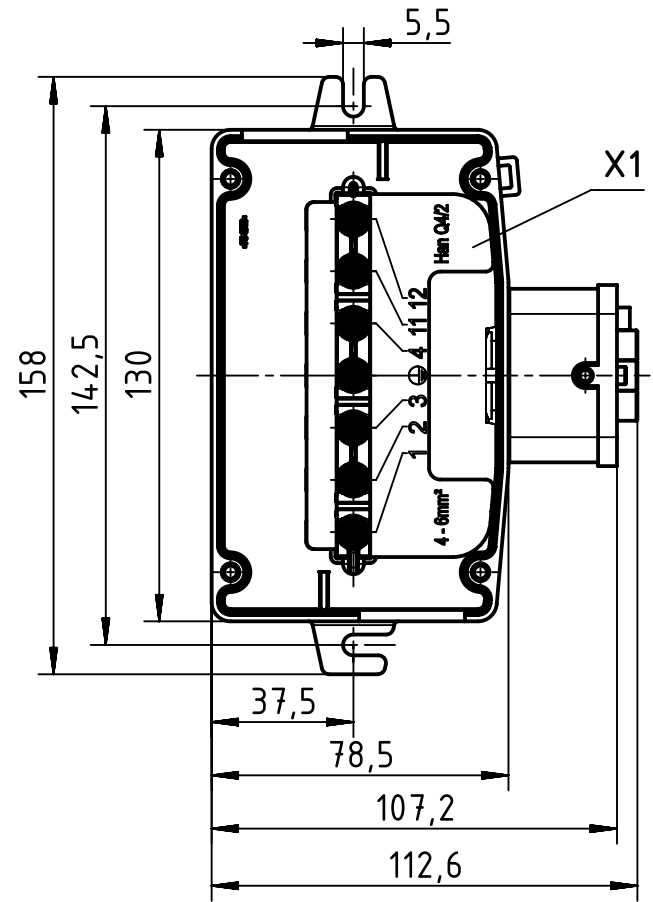
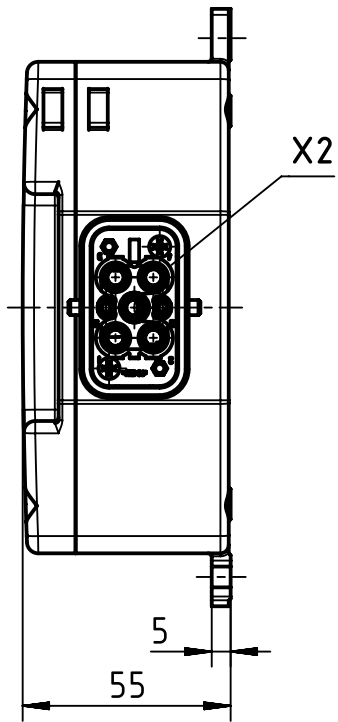
A

B

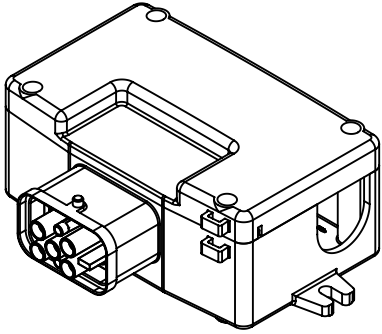
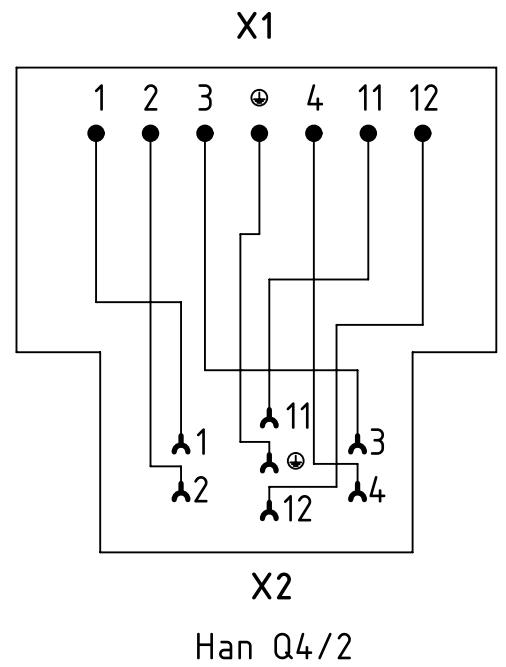
C

D

without cover



wiring plan



	All rights reserved Department EL PD - DE	All Dimensions in mm Original Size DIN A4			Scale 1:2	Free size tol.	Ref. Sub. TB 09 12 008 4806 v. 17.08.04	
		HARTING Electric GmbH & Co. KG D-32339 Espelkamp	Created by HOLLERT	Inspected by NICHTERLEIN	Standardisation RUETERA	Date 2016-11-07	State Final Release	Doc-Key / ECM-Nr. 100226596/UGD/002/A 500000110188
		Title Han-Power S with 1x Han Q4/2-F; 4-6mm ²					Rev. A	
		Type TB			Number 09 12 008 4806		Page 1/1	