

A

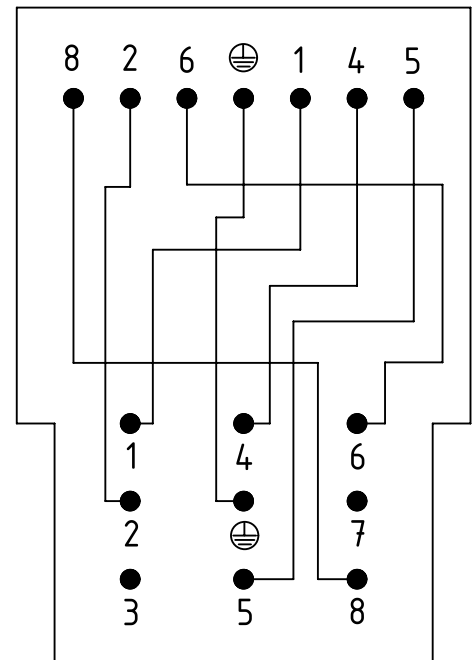
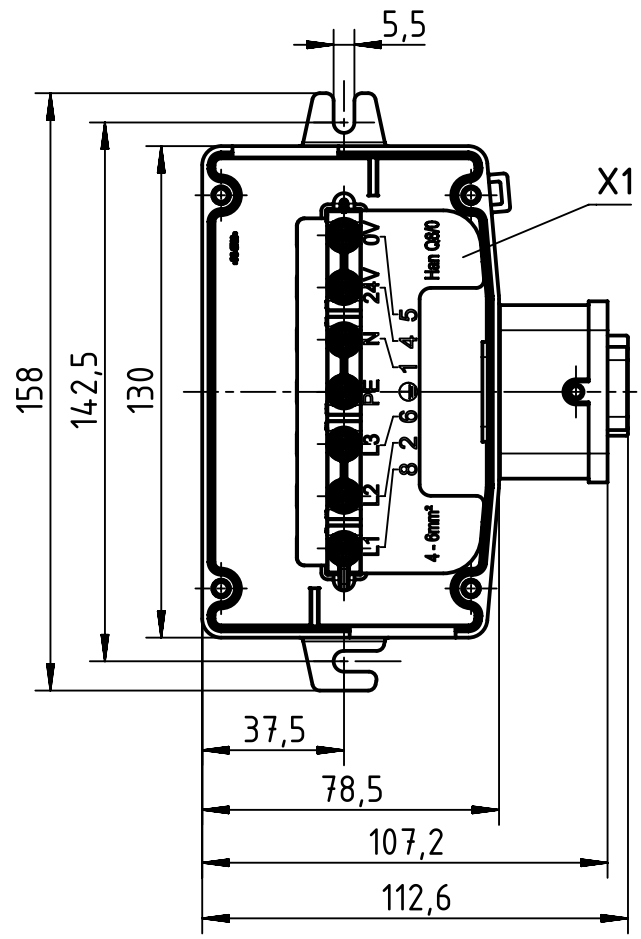
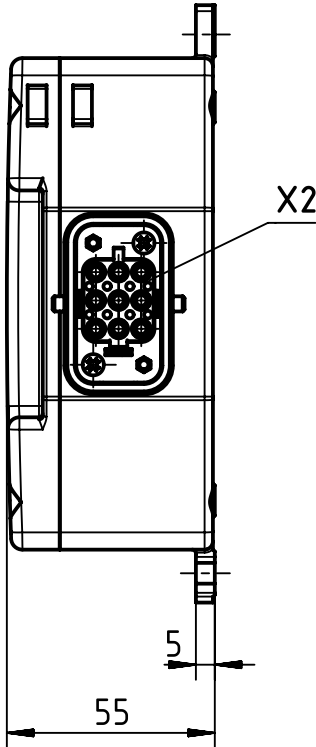
B

C

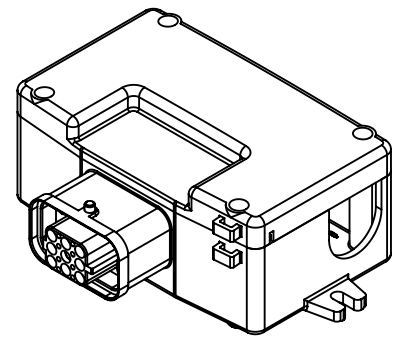
D

without cover

wiring plan



X2
Han Q8/0



	All Dimensions in mm Original Size DIN A4		Scale 1:2	Free size tol.		Ref. Sub. TB 09 12 008 4811 v. 31.01.05		
		All rights reserved Department EL PD - DE		Created by HOLLERT	Inspected by NICHTERLEIN	Standardisation RUETERA	Date 2016-11-07	State Final Release
HARTING Electric GmbH & Co. KG D-32339 Espelkamp				Title Han-Power S with 1x Han Q8/0-F; 4-6 mm ²			Doc-Key / ECM-Nr. 100226600/UGD/002/A 500000110188	
				Type TB	Number 09 12 008 4811		Rev. A	Page 1/1