

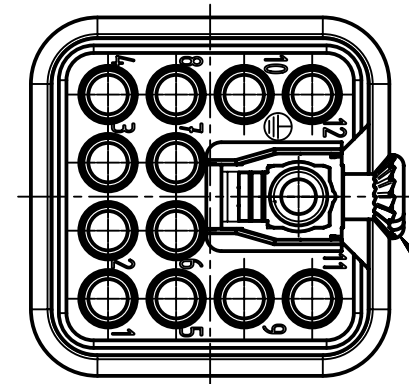
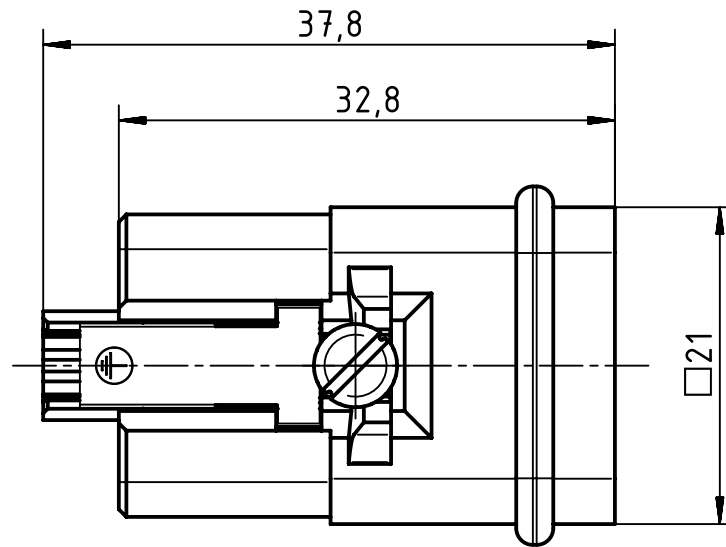
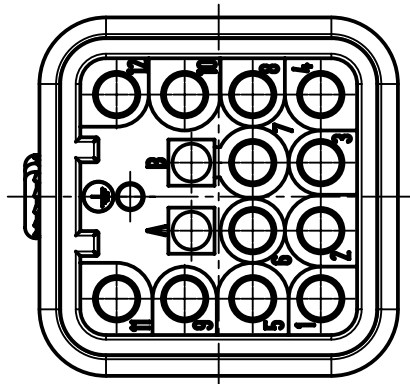
1 2 3 4 5 6

A

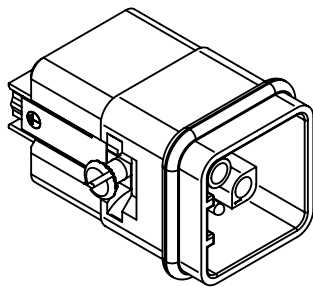
B

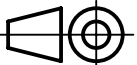

C

D



enclosed separately



 All Dimensions in mm Original Size DIN A4	Scale	Free size tol.			Ref.
	2:1				Sub.
 All rights reserved Department EL PD - DE	Created by	Inspected by	Standardisation	Date	State
	FINKEV	SCHNIEDER	RUETERA	2017-03-22	Final Release
HARTING Electric GmbH & Co. KG D-32339 Espelkamp	Title				Doc-Key / ECM-Nr. 100216020/UGD/002/D 500000117084
	Type	Number			
	TB	09 12 012 3004			Rev. D
					Page 1/1