

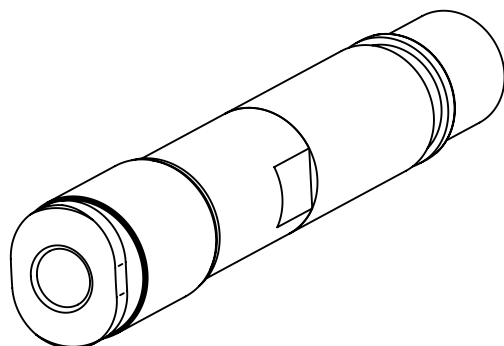
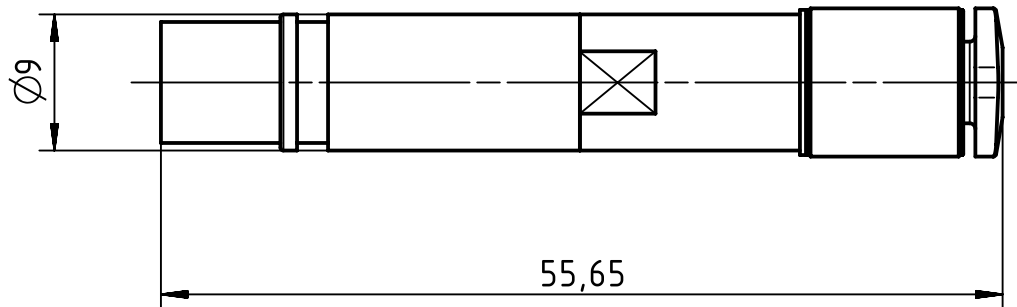
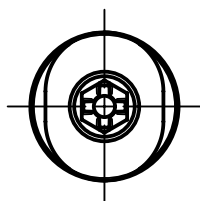
1 2 3 4 5 6


A

B

C

D



	All rights reserved Department EL PD - DE	Created by MOELLERLI		Inspected by BEISCHER		Standardisation TIEMANNA		Date 2016-09-08		State Final Release	
		Title Pneum. contact metal OD4mm female+valve								Doc-Key / ECM-Nr. 100656099/UGD/001/C 500000108675	
HARTING Electric GmbH & Co. KG D-32339 Espelkamp		Type TB		Number 09 14 000 6464				Rev. C		Page 1/1	
All Dimensions in mm Original Size DIN A4		Scale 2:1		Free size tol.				Ref.		Sub.	