

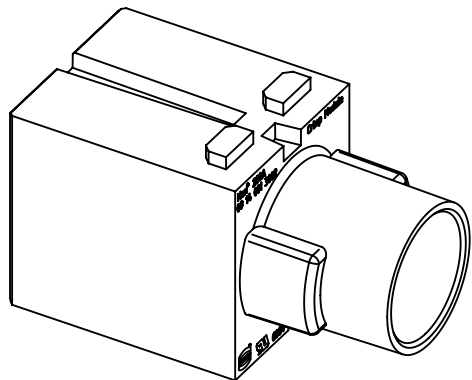
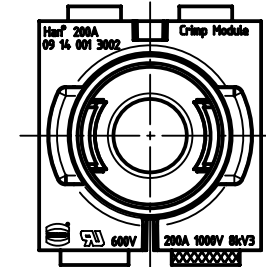
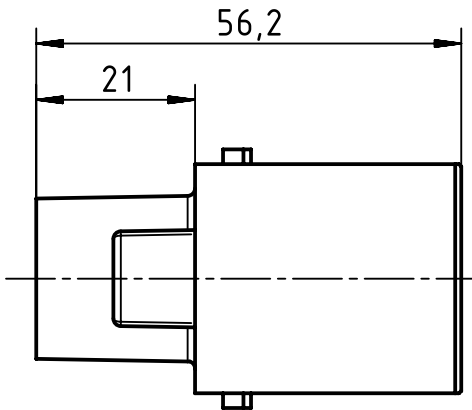
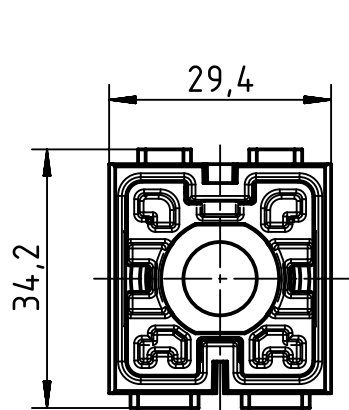
1 2 3 4 5 6

A

B

C

D



	All Dimensions in mm Original Size DIN A4	Scale 1:1		Free size tol.		Ref.	
						Sub.	
	All rights reserved Department EL PD - DE	Created by ILJIN	Inspected by BEISCHER	Standardisation TIEMANNA	Date 2016-07-22	State Final Release	
		Title Han 1Mod-m-c 200A finger protected					Doc-Key / ECM-Nr. 100576059/UGD/001/B 500000106802
HARTING Electric GmbH & Co. KG D-32339 Espelkamp		Type TB	Number 09 14 001 3002			Rev. B	Page 1/1