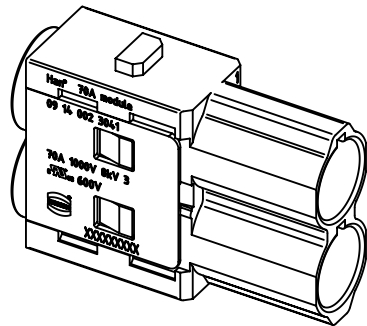
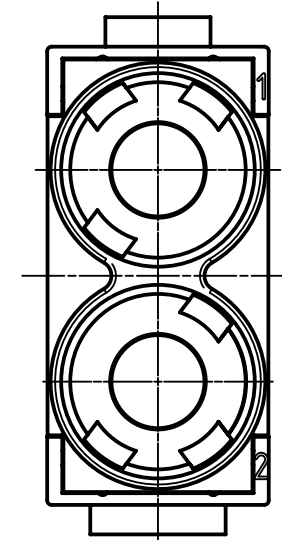
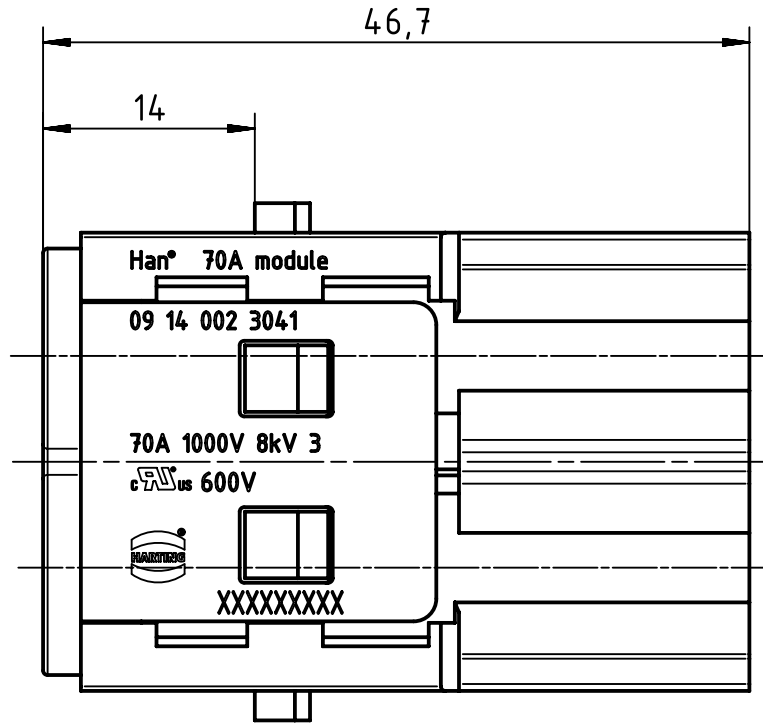
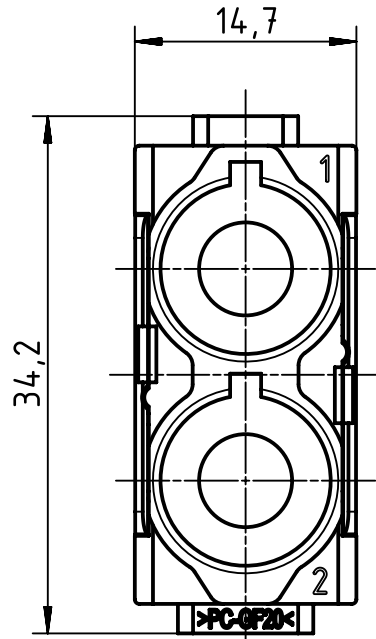


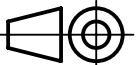

A

B

C

D



 All Dimensions in mm Original Size DIN A4	Scale	Free size tol.			Ref.
	2:1				Sub.
 All rights reserved Department EL PD - DE	Created by	Inspected by	Standardisation	Date	State
	HARLASSK	NICHTERLEIN	RUETERA	2016-11-08	Final Release
HARTING Electric GmbH & Co. KG D-32339 Espelkamp	Title				Doc-Key / ECM-Nr.
	Han 2Mod-M-c				100196402/UGD/005/E 500000111185
Type		Number		Rev.	Page
TB		09 14 002 3041		E	1/1