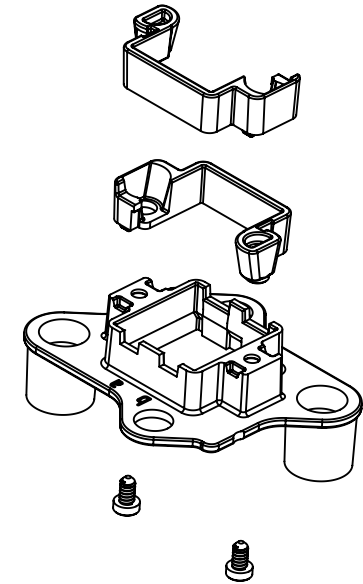
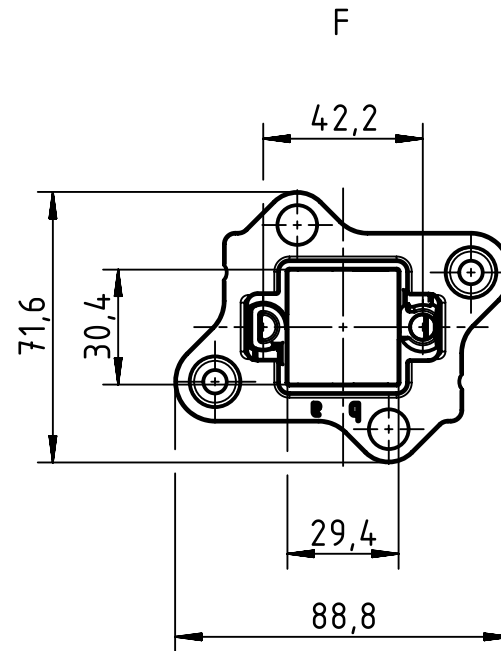
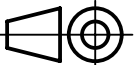



enclosed separately



	All Dimensions in mm Original Size DIN A4		Scale 1:2	Free size tol.		Ref.		
						Sub.		
	All rights reserved		Created by LONGL	Inspected by WENE	Standardisation SCHMIDTM	Date 2016-12-22	State Final Release	
	Department EL PD - CN		Title Han 6Mod Docking Frame Moveable, Set				Doc-Key / ECM-Nr. 100703856/UGD/002/A 500000112861	
HARTING Electric GmbH & Co. KG D-32339 Espelkamp			Type TB	Number 09 14 006 1706			Rev. A	Page 1/1