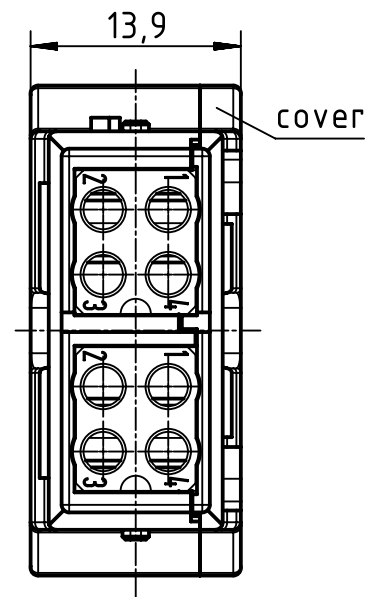
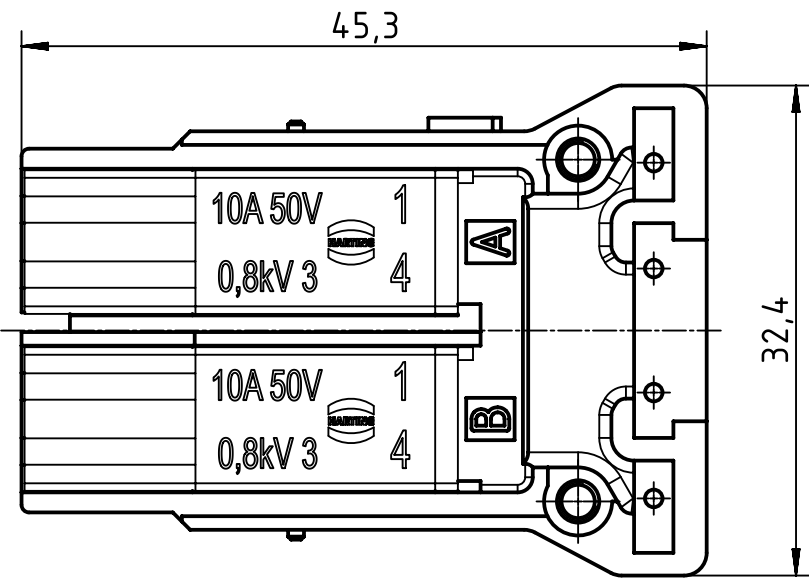


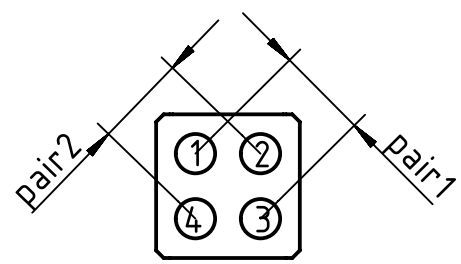
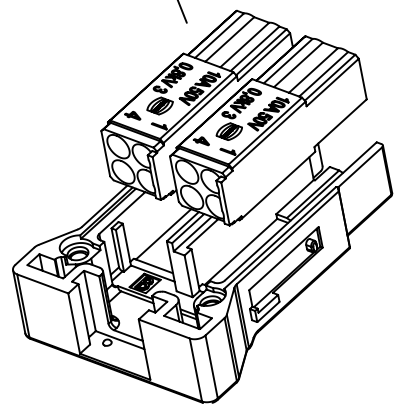
1 2 3 4 5 6

A  
B  
C  
D



Pin	color
1A	white/green
2A	white/orange
3A	green
4A	orange
1B	white/brown
2B	white/blue
3B	brown
4B	blue

arrangement without cover



delivery in partly assembled parts and individual parts

	All rights reserved Department EL PD - DE HARTING Electric GmbH & Co. KG D-32339 Espelkamp	All Dimensions in mm Original Size DIN A4	Scale 2:1	Free size tol.	Ref. Sub.
		Created by FINKEV	Inspected by RIEPE	Standardisation TIEMANNA	Date 2016-03-18
Title Han MegaBit Single Entry contact-F					Doc-Key / ECM-Nr. 100611393/UGD/002/B 500000101995
		Type TB	Number 09 14 008 3121		Rev. B
					Page 1/1