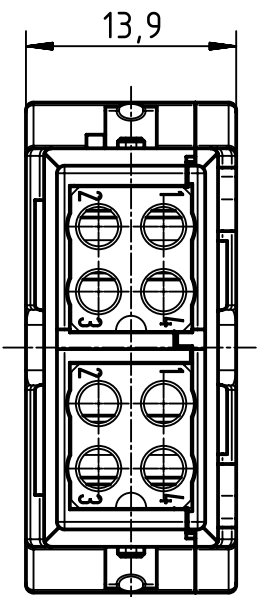
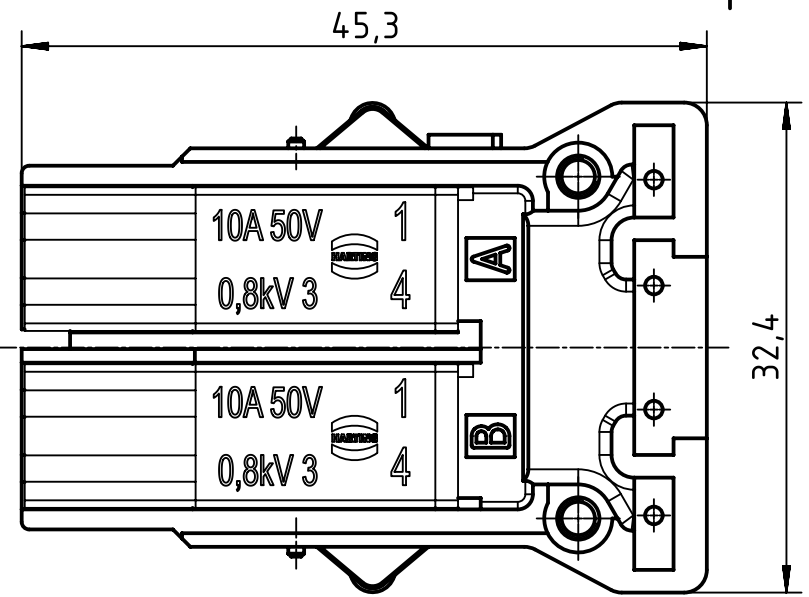


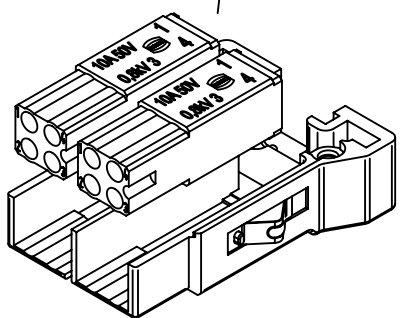
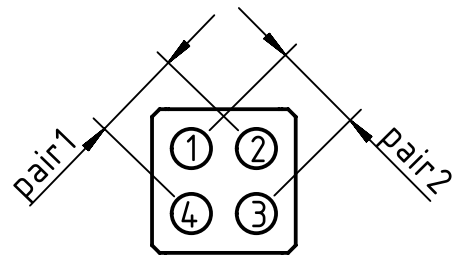
1 2 3 4 5 6

A
B
C
D



Pin	color
1A	white/green
2A	white/orange
3A	green
4A	orange
1B	white/brown
2B	white/blue
3B	brown
4B	blue

arrangement without cover



delivery in partly assembled parts and individual parts

	All rights reserved Department EL PD - DE HARTING Electric GmbH & Co. KG D-32339 Espelkamp	All Dimensions in mm Original Size DIN A4		Scale 2:1	Free size tol.	Ref. Sub.
		Created by FINKEV	Inspected by RIEPE	Standardisation TIEMANNA	Date 2016-03-18	State Final Release
Title Han MegaBit Single Entry, F + shield					Doc-Key / ECM-Nr. 100611395/UGD/002/C 500000101995	
Type TB				Number 09 14 008 3122		Rev. C
						Page 1/1