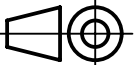



wire gauge: 0,08-0,56mm<sup>2</sup>, AWG 28-20  
stripping length: 4mm

Coating gold plated	A=	mm <sup>2</sup>	V=	mm <sup>3</sup>	m=	g	Mat.
 All Dimensions in mm Original Size DIN A4	Scale 10:1	Free size tol.					Ref.
 All rights reserved Department EL PD - DE	Created by KLASSEN P	Inspected by RIEPE	Standardisation TIEMANNA	Date 2017-02-14	State Final Release		
HARTING Electric GmbH & Co. KG D-32339 Espelkamp	Title Han M23 male-c 1mm (0,08 - 0,56mm <sup>2</sup> ) Au					Doc-Key / ECM-Nr. 100709065/UGD/000/A 500000114912	
Type TB	Number 09 15 100 6101					Rev. A	Page 1/1