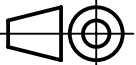



wire gauge: 0,14-1,00mm², AWG 26-17
stripping length: 4mm

Coating gold plated	A=	mm ²	V=	mm ³	m=	g	Mat.
	All Dimensions in mm Original Size DIN A4		Scale 10:1	Free size tol.			Ref.
	All rights reserved Department EL PD - DE		Created by KLASSEN P	Inspected by RIEPE	Standardisation SCHMIDTM	Date 2017-03-21	State Final Release
HARTING Electric GmbH & Co. KG D-32339 Espelkamp		Title Han M23 male-c 1,5mm (0,14-1,00mm ²) Au				Doc-Key / ECM-Nr. 100709284/UGD/000/B 500000117056	
		Type TB	Number 09 15 100 6111			Rev. B	Page 1/1