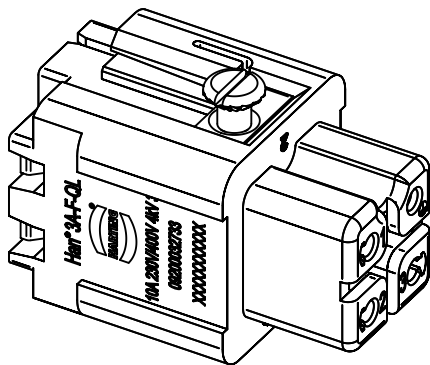
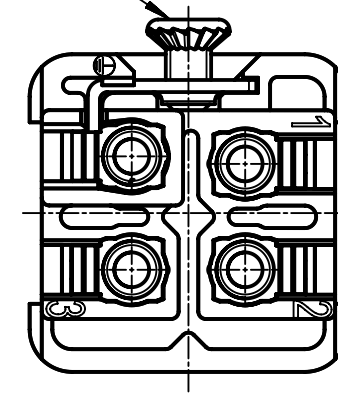



insert fixing screw M3x6
enclosed separately



	All rights reserved Department EL PD - DE	All Dimensions in mm Original Size DIN A4		Scale 2:1	Free size tol.	Ref.	
		Created by HELLMANN	Inspected by NICHTERLEIN	Standardisation TIEMANNA	Date 2017-04-26	State Final Release	
HARTING Electric GmbH & Co. KG D-32339 Espelkamp		Title Han 3A female insert with Quick-Lock				Doc-Key / ECM-Nr. 100179208/UGD/005/C 500000116017	
		Type TB	Number 09 20 003 2733			Rev. C	Page 1/1