

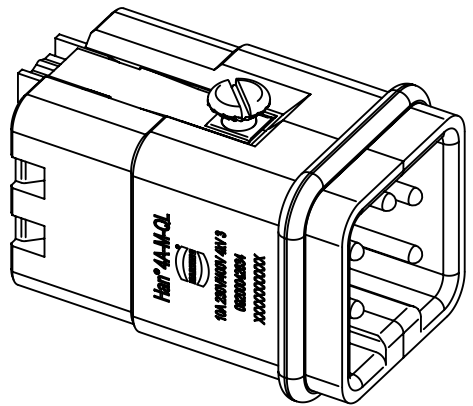
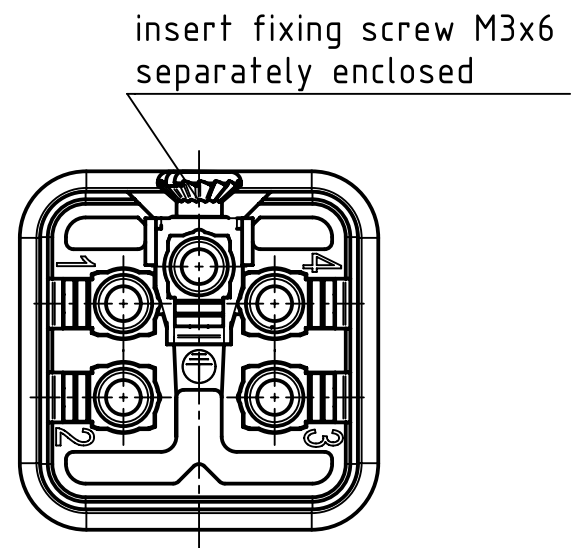
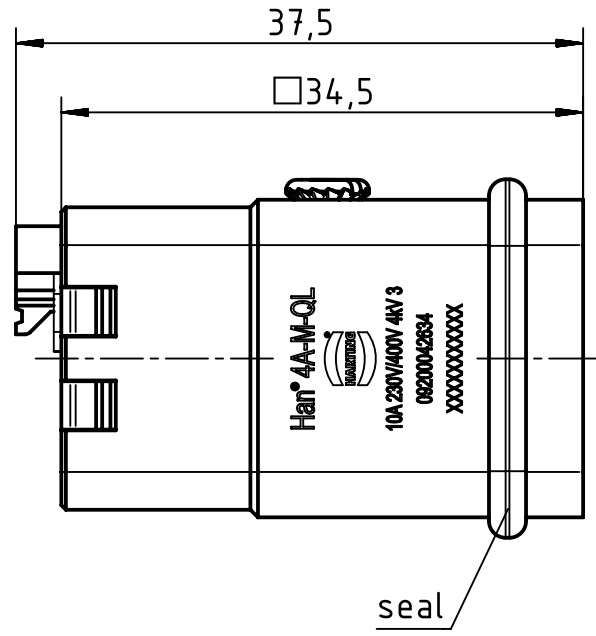
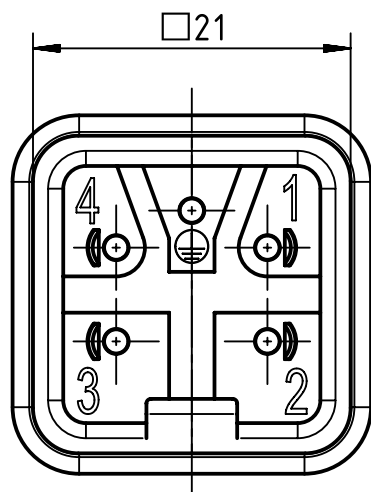
1 2 3 4 5 6

A

B

C

D



	All Dimensions in mm Original Size DIN A4		Scale 2:1	Free size tol.		Ref.
						Sub.
	All rights reserved		Created by FINKEV	Inspected by BERGHORN	Standardisation TIEMANNA	Date 2015-06-29
	Department EL PD - DE					State Final Release
HARTING Electric GmbH & Co. KG D-32339 Espelkamp			Title Han 4A - Male - Quick Lock 1,5mm ²			Doc-Key / ECM-Nr. 100216018/UGD/002/B 500000090699
			Type TB	Number 09 20 004 2634		Rev. B Page 1/1