

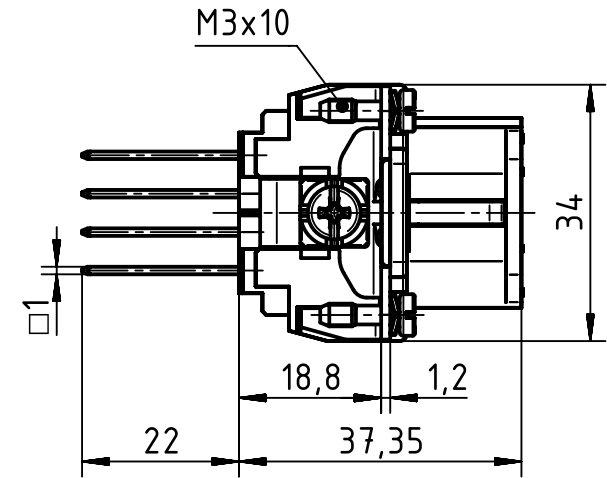
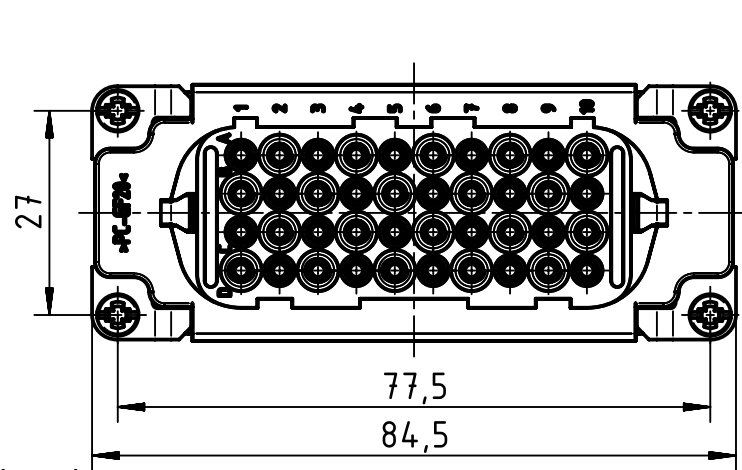
1 2 3 4 5 6

A

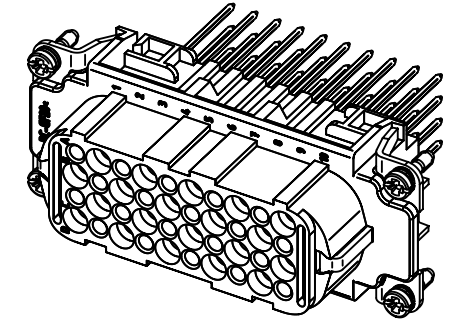
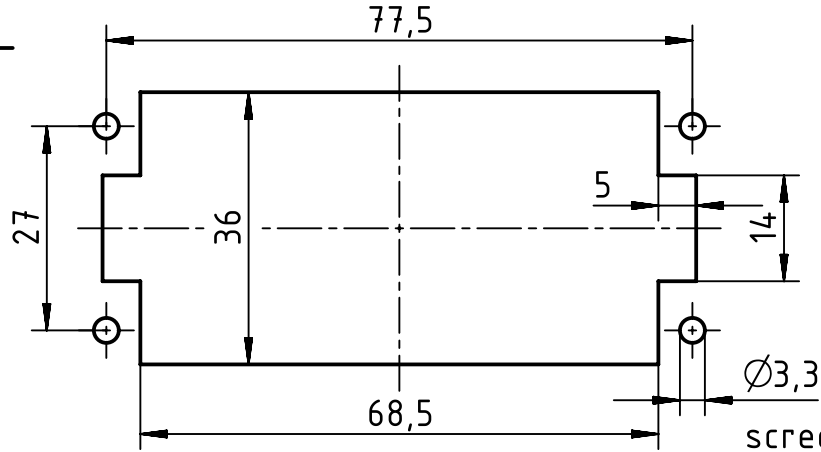
B

C


D



panel cut out



screen line distance between the contacts: 5,08 mm

	All Dimensions in mm Original Size DIN A4		Scale 1:1	Free size tol.		Ref.
	All rights reserved Department EL PD - DE		Created by MATAU	Inspected by PRIESTER	Standardisation TIEMANNA	Sub.
HARTING Electric GmbH & Co. KG D-32339 Espelkamp		Title Han D 40 Pos. F Insert Wire Wrap			Date 2016-09-15	State Final Release
		Type TB	Number 09 21 040 2701		Doc-Key / ECM-Nr. 100087622/UGD/005/A 500000102265	Rev. A
					Page 1/1	