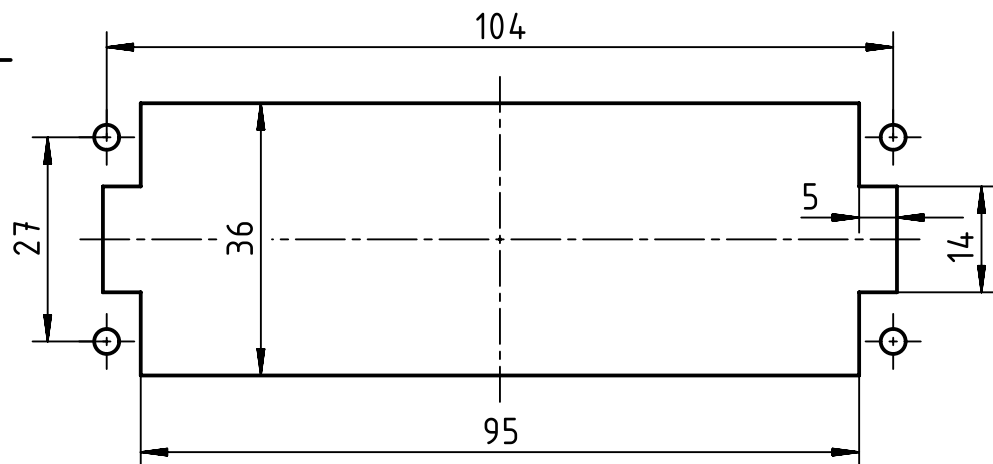
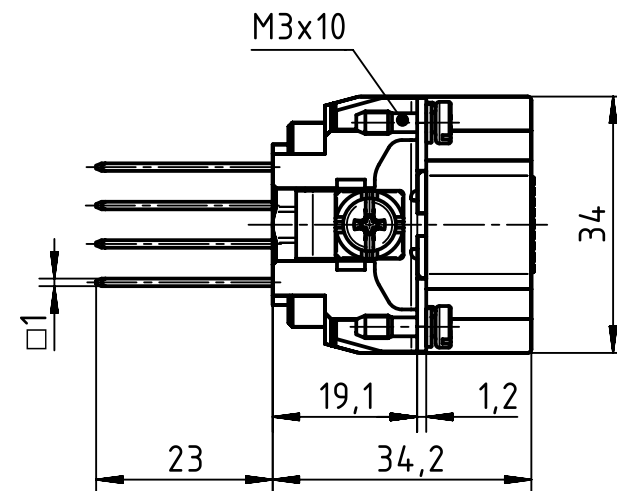
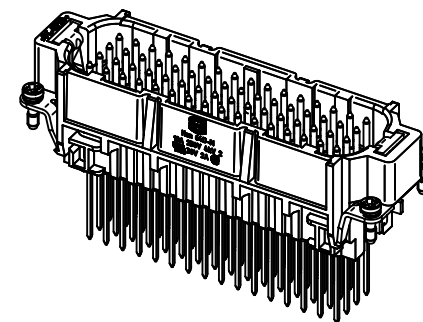


panel cut out



screen line distance  
between the contacts: 5,08mm



	All Dimensions in mm Original Size DIN A4		Scale 1:1	Free size tol.		Ref.	
	All rights reserved Department EL PD - DE		Created by MATAU	Inspected by PRIESTER	Standardisation TIEMANNA	Date 2016-09-15	State Final Release
HARTING Electric GmbH & Co. KG D-32339 Espelkamp		Title <b>Han D 64 Pos. M Insert Wire Wrap</b>				Doc-Key / ECM-Nr. 100087624/UGD/007/A 500000096885	
		Type TB	Number 09 21 064 2601			Rev. A	Page 1/1