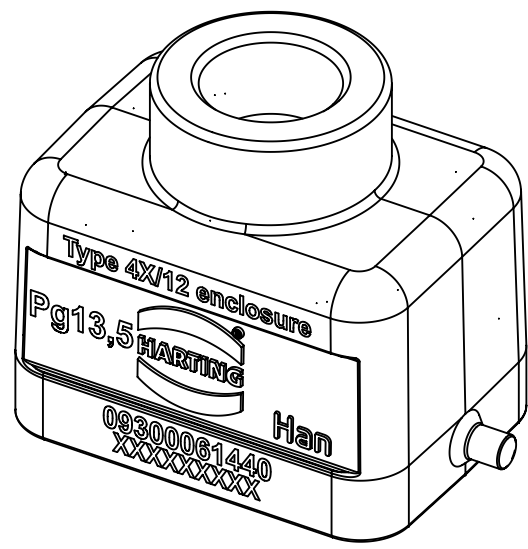
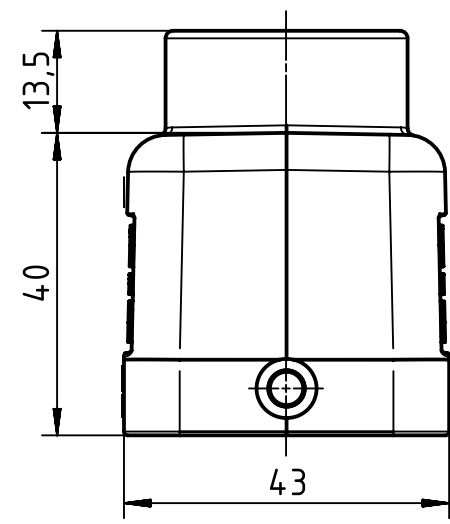
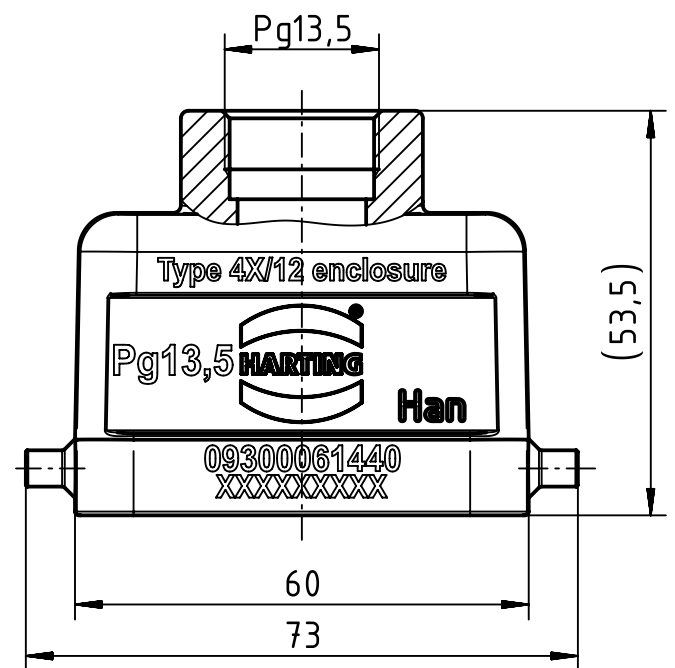


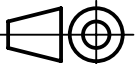

A

B

C

D



 All Dimensions in mm Original Size DIN A4	Scale	Free size tol.		Ref.	
	1:1			Sub.	
 All rights reserved Department EL PD - DE	Created by	Inspected by	Standardisation	Date	State
	HELLMANN	BERGHORN	RUETERA	2017-01-24	Final Release
HARTING Electric GmbH & Co. KG D-32339 Espelkamp	Title			Doc-Key / ECM-Nr.	
	Han B Hood Top Entry LC 2 Pegs PG 13.5			10020124.2/UGD/004/D 5000001134.82	
Type		Number		Rev.	Page
TB		09 30 006 1440		D	1/1