

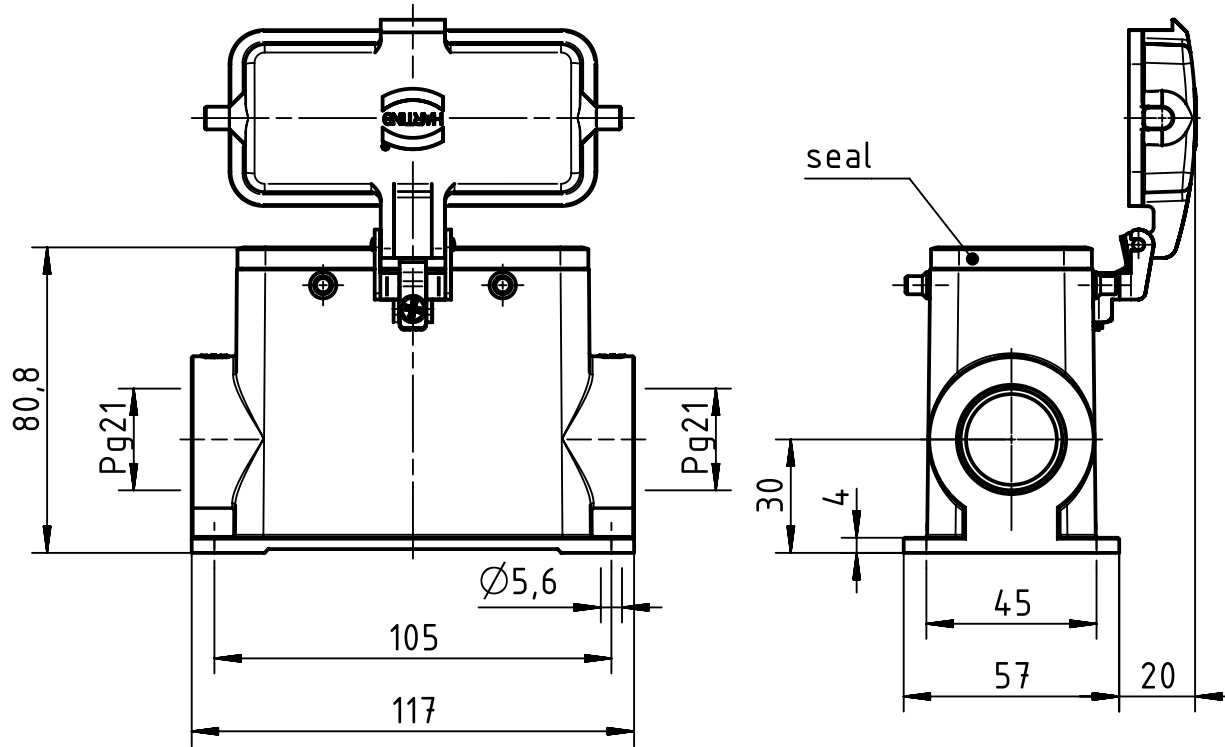
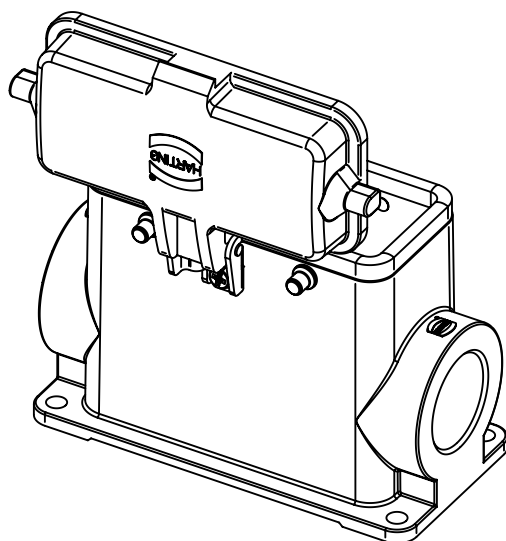
1 2 3 4 5 6


A

B

C

D



	All Dimensions in mm Original Size DIN A4		Scale 1:2	Free size tol.		Ref.
	All rights reserved Department EL PD - DE		Created by FINKEV	Inspected by BERGHORN	Standardisation SCHMIDTM	Date 2016-06-01
HARTING Electric GmbH & Co. KG D-32339 Espelkamp		Title Han 16B-asg2-K-21			Doc-Key / ECM-Nr. 100209847/UGD/004/A 500000104878	
		Type TB	Number 09 30 016 0260		Rev. A	Page 1/1