

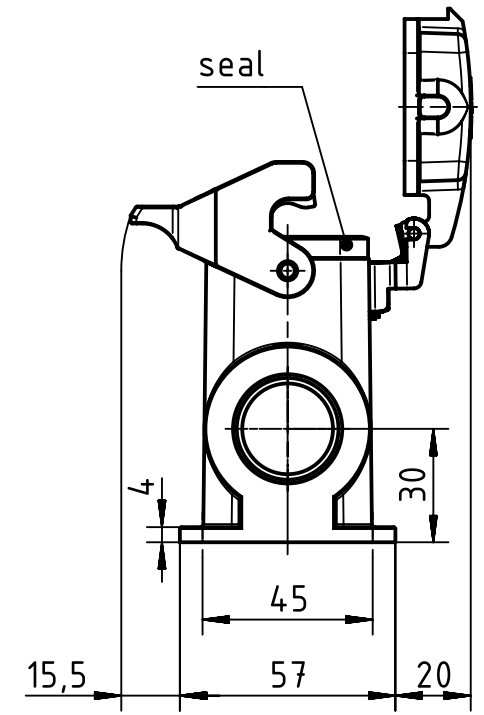
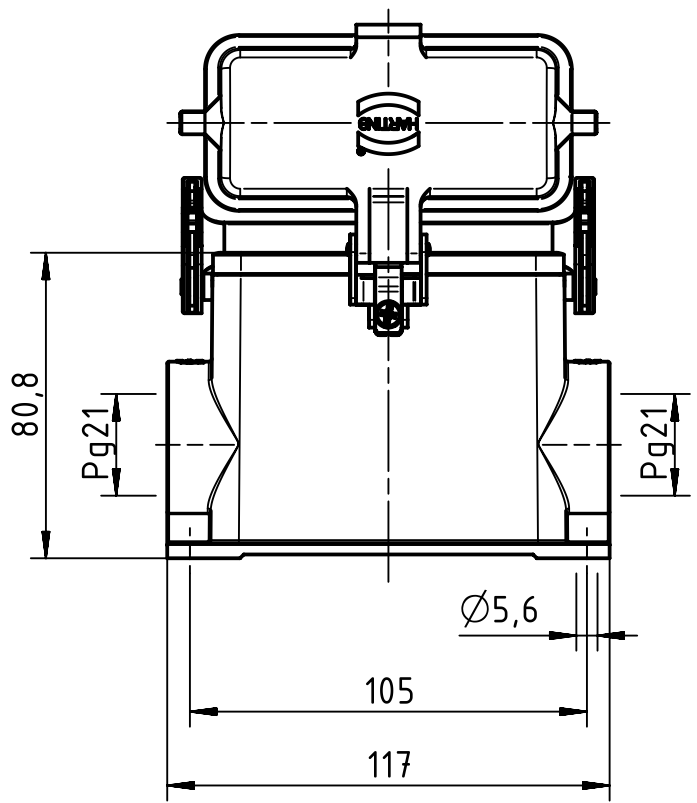
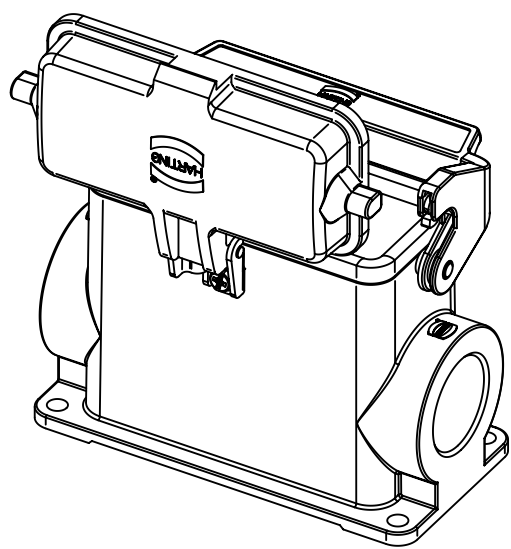
1 2 3 4 5 6

A

B

C

D



|   |  |  |   |                          |                             |  |                        |
|---|--|--|---|--------------------------|-----------------------------|--|------------------------|
|   | All Dimensions in mm<br>Original Size DIN A4 |  | Scale<br>1:2                                    | Free size tol.           |                             | Ref.   |                        |
|   |  |  |   |                          |                             | Sub.   |                        |
|   | All rights reserved                          |  | Created by<br>FINKEV                            | Inspected by<br>BERGHORN | Standardisation<br>SCHMIDTM | Date<br>2016-06-01                                       | State<br>Final Release |
|   | Department EL PD - DE                        |  | Title<br>Han Base Surface HC 1 Lever Thermoplas |                          |                             | Doc-Key / ECM-Nr.<br>100210103/UGD/004/A<br>500000104878 |                        |
| HARTING Electric GmbH & Co. KG<br>D-32339 Espelkamp |  |  | Type<br>TB                                      | Number<br>09 30 016 0295 |                             | Rev.<br>A  | Page<br>1/1            |