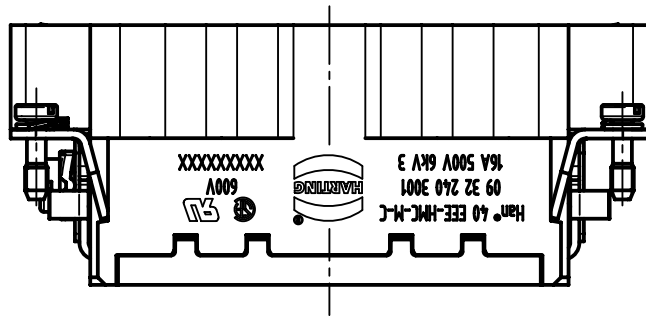


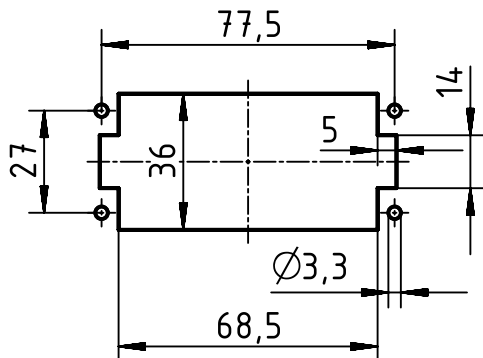
1 2 3 4 5 6

A

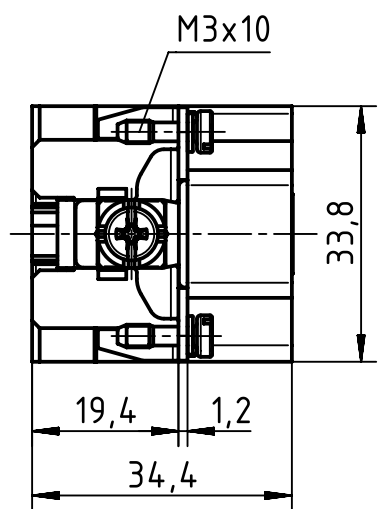
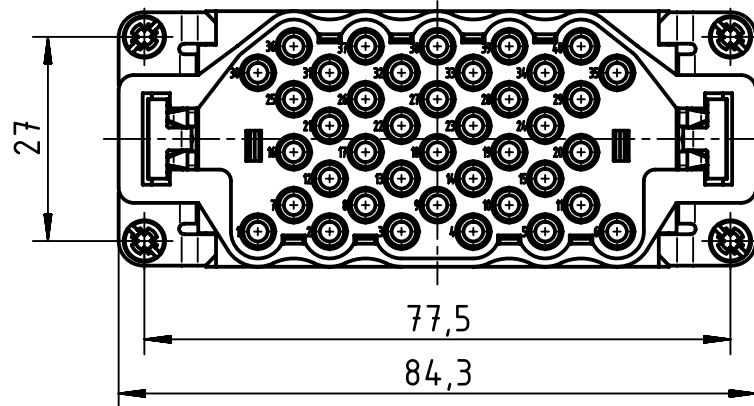


B

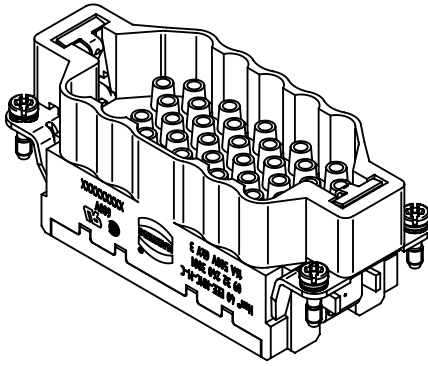
panel cut out (1:2)




C



D



	All rights reserved Department EL PD - DE	All Dimensions in mm Original Size DIN A4		Scale 1:1	Free size tol.	Ref.
		HARTING Electric GmbH & Co. KG D-32339 Espelkamp	Created by HOLLERT	Inspected by SCHMIDTM	Standardisation TIEMANNA	Date 2016-04-20
Title Han 40EEE HMC-M-Crimp						Doc-Key / ECM-Nr. 100535685/UGD/001/B 500000103373
Type TB				Number 09 32 240 3001		Rev. B
						Page 1/1