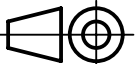

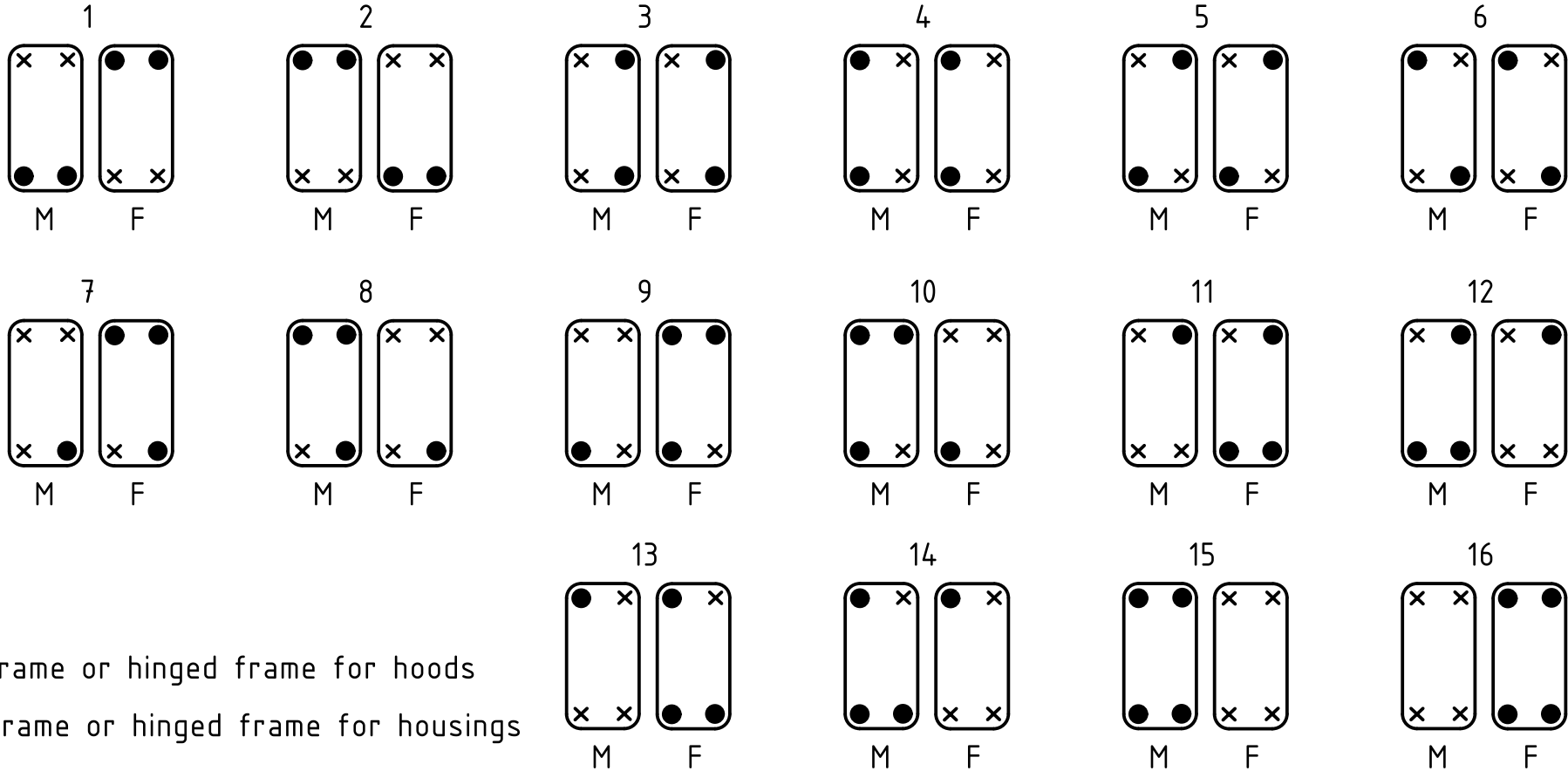


arrangement of pins and bushes see page 2 and 3

|  |             |                         |                      |                             |  |
|--|-------------|-------------------------|----------------------|-----------------------------|--|
|  All Dimensions in mm<br>Original Size DIN A4 |             | Scale<br>2:1            | Free size tol.       |                             | Ref.   |
|  All rights reserved<br>Department EL PD - DE |             | Created by<br>FINKEV    | Inspected by<br>GERB | Standardisation<br>TIEMANNA | Date<br>2015-09-07                                       |
| HARTING Electric GmbH & Co. KG<br>D-32339 Espelkamp  |             | Title<br>guide bush/pin |                      |                             | State<br>Final Release                                   |
| 09 33 000 9809   | guide bush  | Type TB                 |                      |                             | Doc-Key / ECM-Nr.<br>100208457/UGD/003/B<br>500000093566 |
| 09 33 000 9808   | guide pin   | Number 09 33 000 980X   |                      |                             | Rev. B   |
| Part No  | description |                         |                      |                             | Page<br>1/3  |

# coding system with guide pins and bushes

for hoods/housings with one frame or hinged frame



- F - frame or hinged frame for hoods
- M - frame or hinged frame for housings
- x - guide pins
- - guide bushes

|   |                       |                         |                          |                             |                    |  |             |
|---|-----------------------|-------------------------|--------------------------|-----------------------------|--------------------|--|-------------|
|   | All rights reserved   | Created by<br>FINKEV    | Inspected by<br>GERB     | Standardisation<br>TIEMANNA | Date<br>2015-09-07 | State<br>Final Release                                   |             |
|   | Department EL PD - DE | Title<br>guide bush/pin |                          |                             |                    | Doc-Key / ECM-Nr.<br>100208457/UGD/003/B<br>500000093566 |             |
| HARTING Electric GmbH & Co. KG<br>D-32339 Espelkamp |                       | Type<br>TB              | Number<br>09 33 000 980X |                             |                    | Rev.<br>B  | Page<br>2/3 |

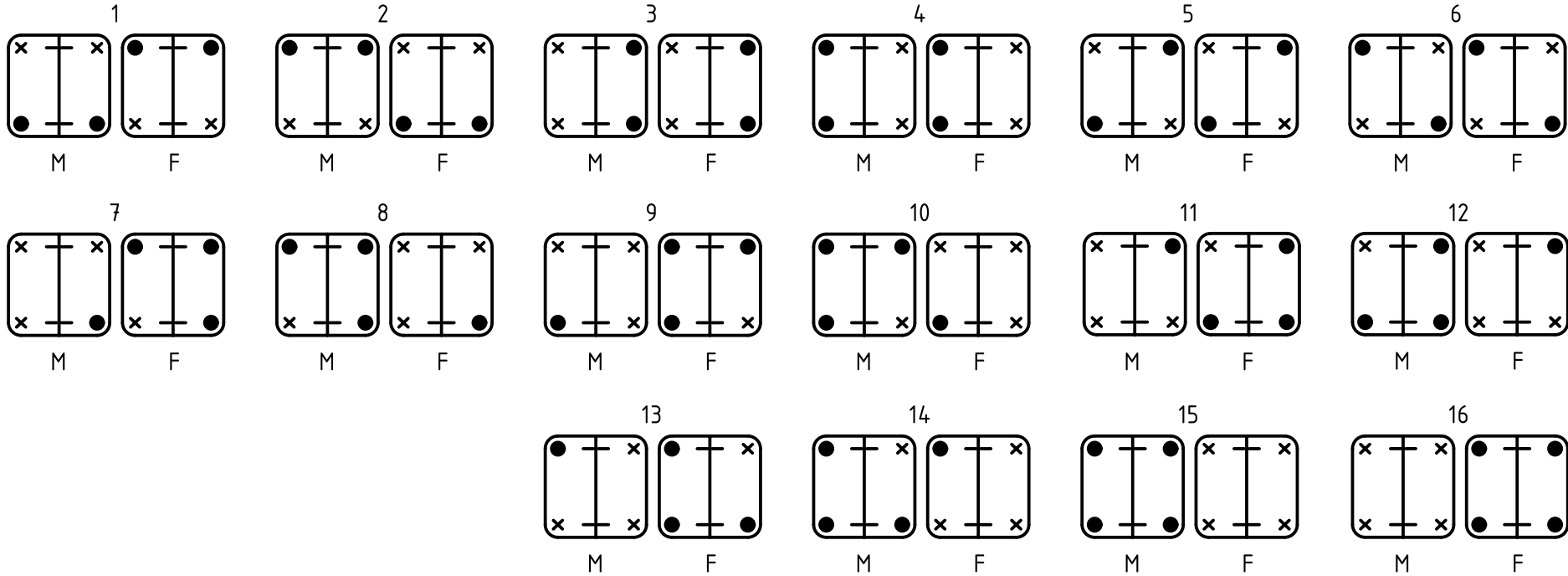
coding system with code pins  
for hoods/housings with two frame or two hinged frame

A

B

C

D



- F - frame or hinged frame for hoods
- M - frame or hinged frame for housings
- x - guide pins
- - guide bushes
- - mounting screw

|   |                       |                         |                          |                             |                    |  |             |
|---|-----------------------|-------------------------|--------------------------|-----------------------------|--------------------|--|-------------|
|   | All rights reserved   | Created by<br>FINKEV    | Inspected by<br>GERB     | Standardisation<br>TIEMANNA | Date<br>2015-09-07 | State<br>Final Release                                   |             |
|   | Department EL PD - DE | Title<br>guide bush/pin |                          |                             |                    | Doc-Key / ECM-Nr.<br>100208457/UGD/003/B<br>500000093566 |             |
| HARTING Electric GmbH & Co. KG<br>D-32339 Espelkamp |                       | Type<br>TB              | Number<br>09 33 000 980X |                             |                    | Rev.<br>B  | Page<br>3/3 |