

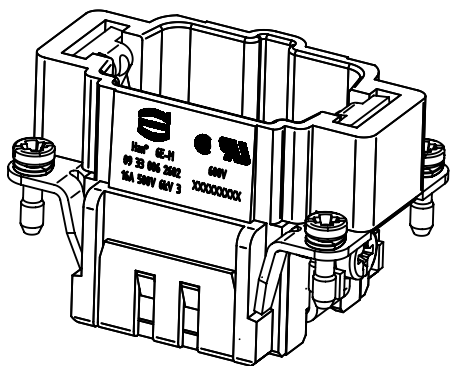
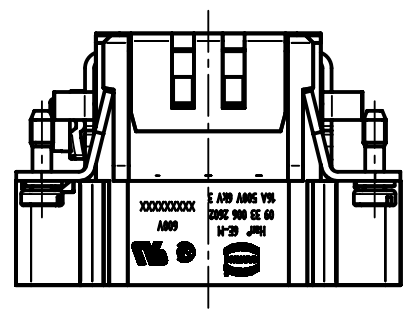
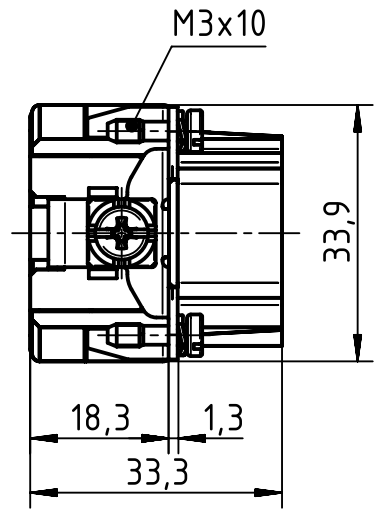
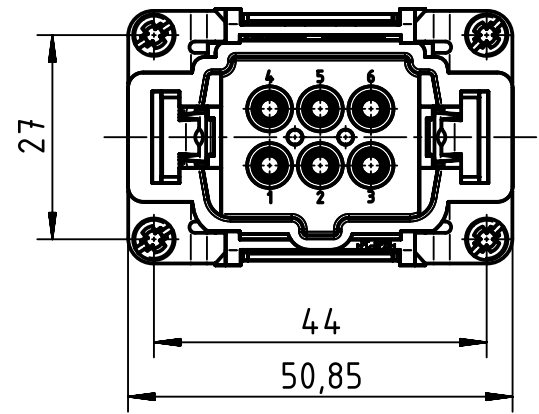
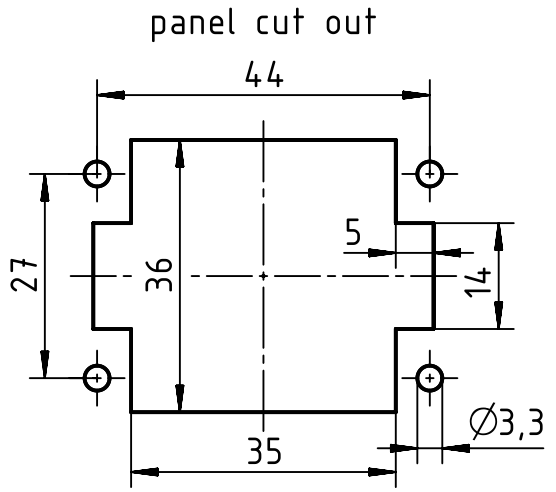
1 2 3 4 5 6

A

B

C

D



	All Dimensions in mm Original Size DIN A4	Scale 1:1			Free size tol.		Ref.
		Created by HELLMANN			Inspected by BERGHORN	Standardisation TIEMANNA	Date 2017-04-27
	All rights reserved Department EL PD - DE	Title Han 6E insert male crimp					Doc-Key / ECM-Nr. 100088996/UGD/006/B 500000116479
		HARTING Electric GmbH & Co. KG D-32339 Espelkamp		Type TB	Number 09 33 006 2602		