

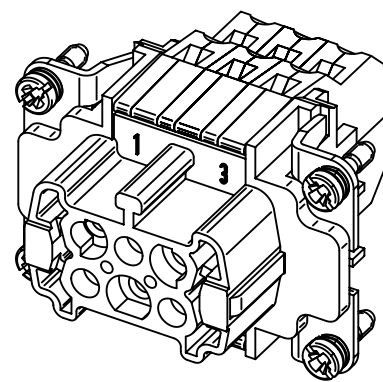
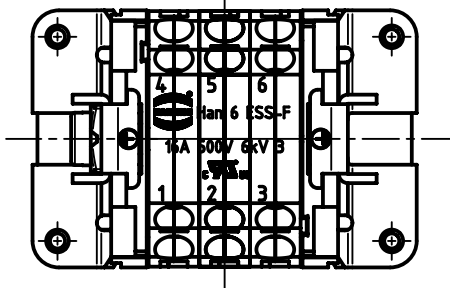
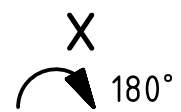
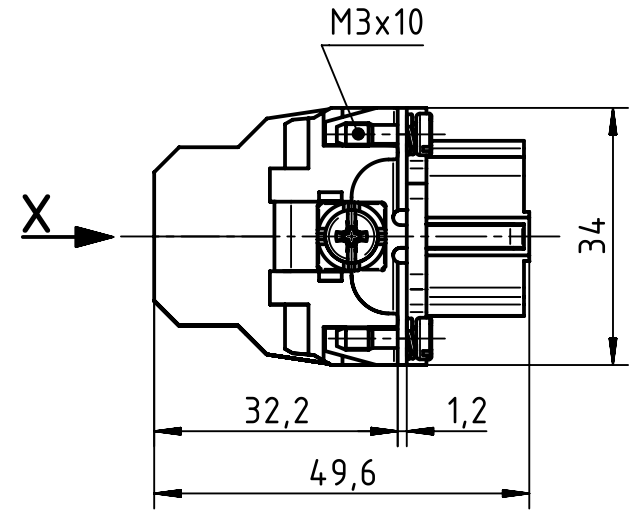
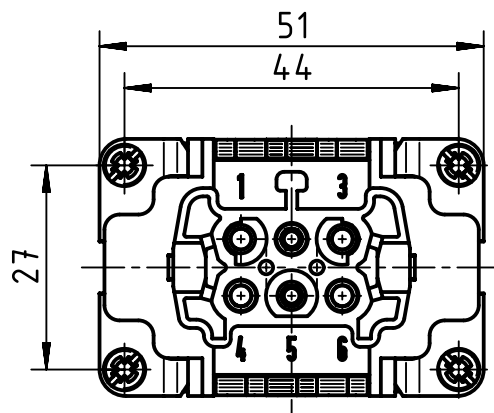
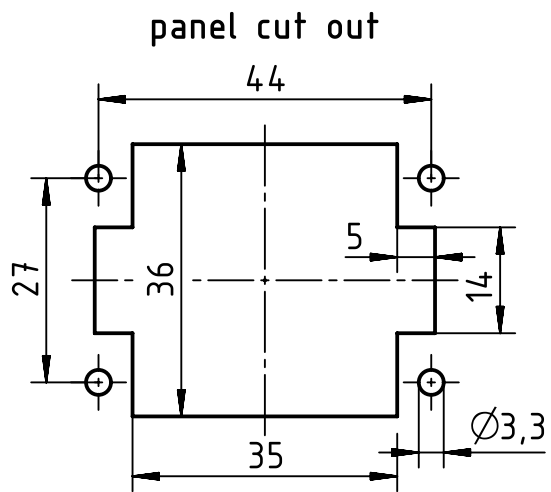
1 2 3 4 5 6

A

B

C

D



	All Dimensions in mm Original Size DIN A4	Scale 1:1		Free size tol.		Ref.	
						Sub.	
	All rights reserved Department EL PD - DE	Created by	Inspected by	Standardisation	Date	State	
		VOLAR	PRIESTER	TIEMANNA	2016-09-16	Final Release	
HARTING Electric GmbH & Co. KG D-32339 Espelkamp		Title Han ESS 06 Pos. F Insert Double Cage Cla				Doc-Key / ECM-Nr. 100129979/UGD/003/A 500000102258	
		Type TB	Number 09 33 006 2772			Rev. A	Page 1/1