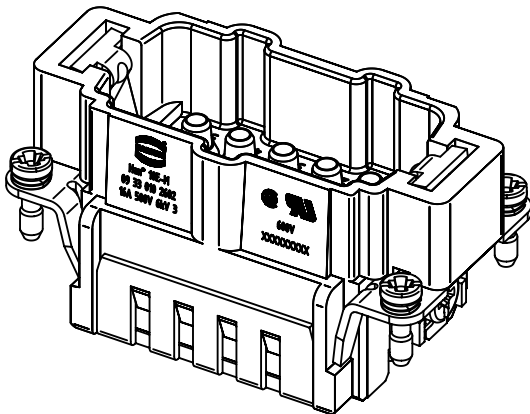
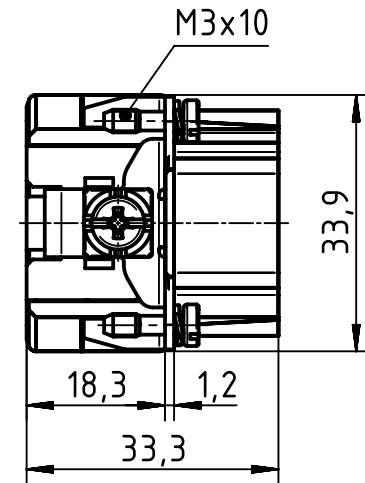
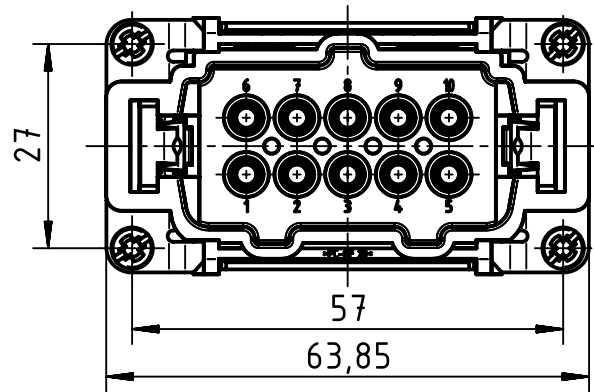
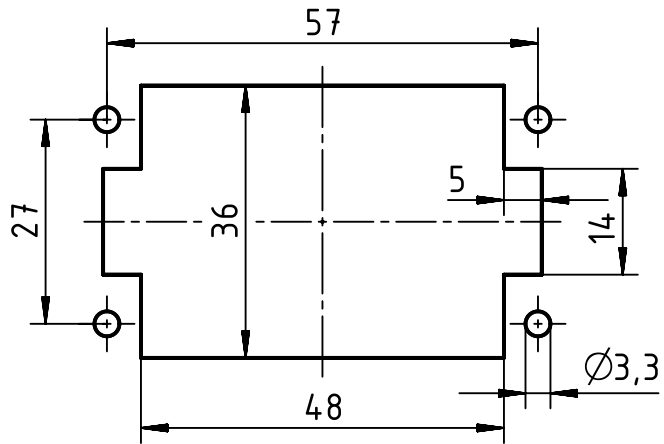



panel cut out



	All rights reserved Department EL PD - DE	All Dimensions in mm Original Size DIN A4		Scale 1:1	Free size tol.	Ref.
		Created by HELLMANN	Inspected by BERGHORN	Standardisation TIEMANNA	Date 2017-04-27	State Final Release
HARTING Electric GmbH & Co. KG D-32339 Espelkamp		Title Han 10E insert male crimp			Doc-Key / ECM-Nr. 100130168/UGD/005/B 500000116479	
		Type TB	Number 09 33 010 2602		Rev. B	Page 1/1