

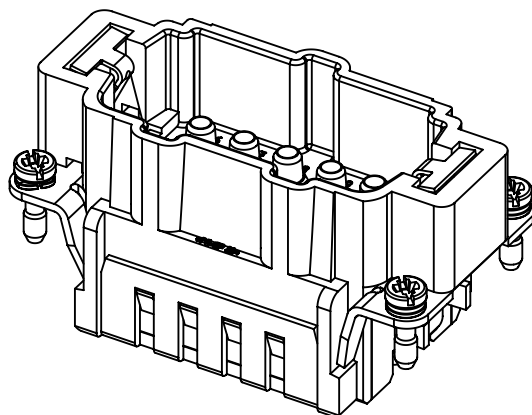
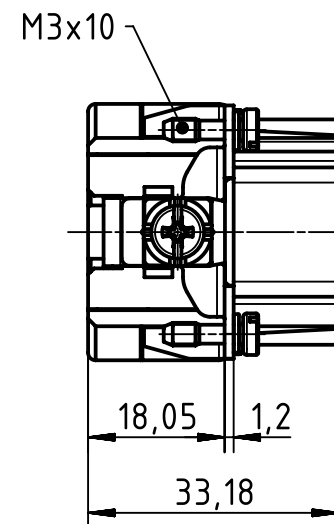
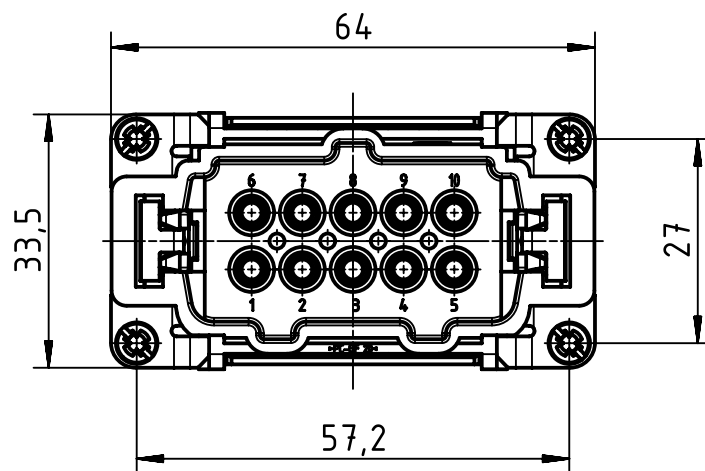
1 2 3 4 5 6



A

B

C

D



 All Dimensions in mm Original Size DIN A4	Scale 1:1		Free size tol.		Ref.	
	 All rights reserved Department EL PD - DE		Created by HELLMANN	Inspected by BERGHORN	Standardisation TIEMANNA	Date 2017-04-27
HARTING Electric GmbH & Co. KG D-32339 Espelkamp		Title Han 10E HMC-M-CRIMP			Doc-Key / ECM-Nr. 100527287/UGD/002/B 500000116479	
		Type TB	Number 09 33 210 2602		Rev. B	Page 1/1