

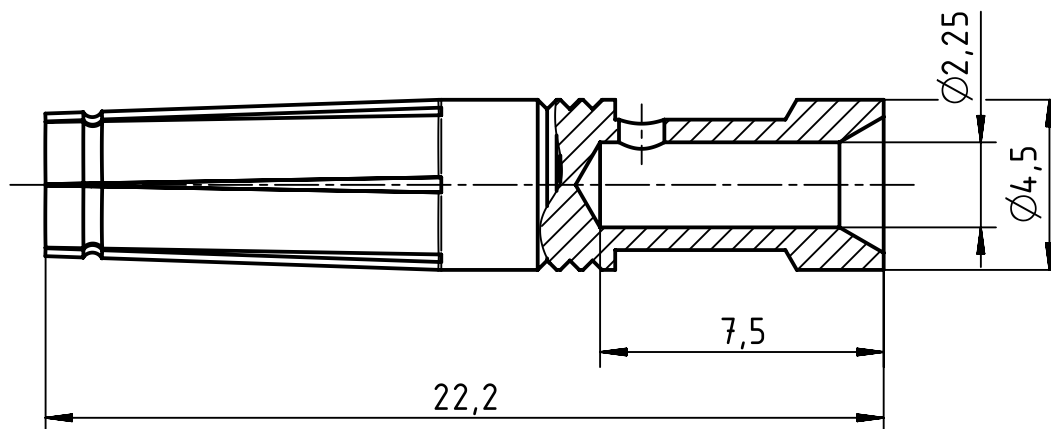
1 2 3 4 5 6

A

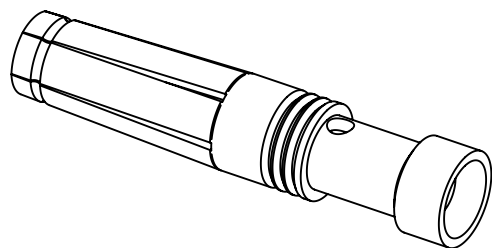
B


C

D



wire gauge: 2.5mm² / AWG 14
 stripping length: 7.5mm
 coating: silver plated



	All Dimensions in mm Original Size DIN A4	Scale 5:1	Free size tol.			Ref.
	All rights reserved Department EL PD - DE	Created by HOLLERT	Inspected by SPILKERN	Standardisation TIEMANNA	Date 2013-11-05	State Final Release
HARTING Electric GmbH & Co. KG D-32339 Espelkamp		Title Han High Temp E female contact				Doc-Key / ECM-Nr. 100533026/UGD/002/A 500000067351
		Type TB	Number 09 33 800 6202			Rev. A
					Page 1/1	