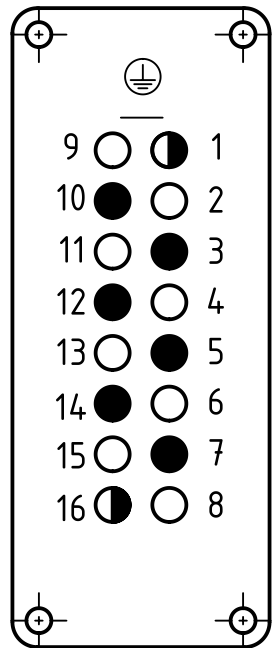
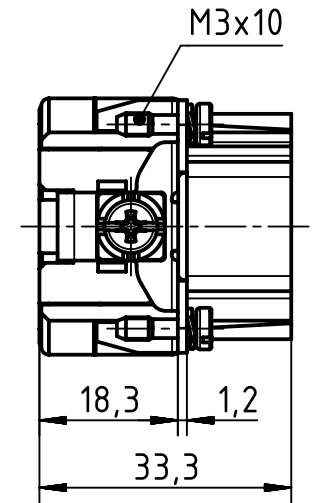
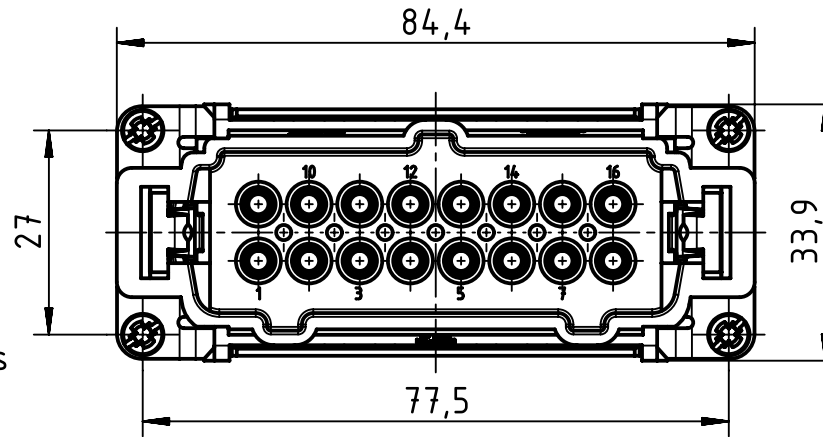


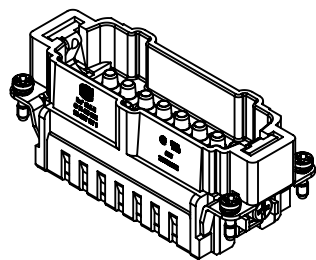
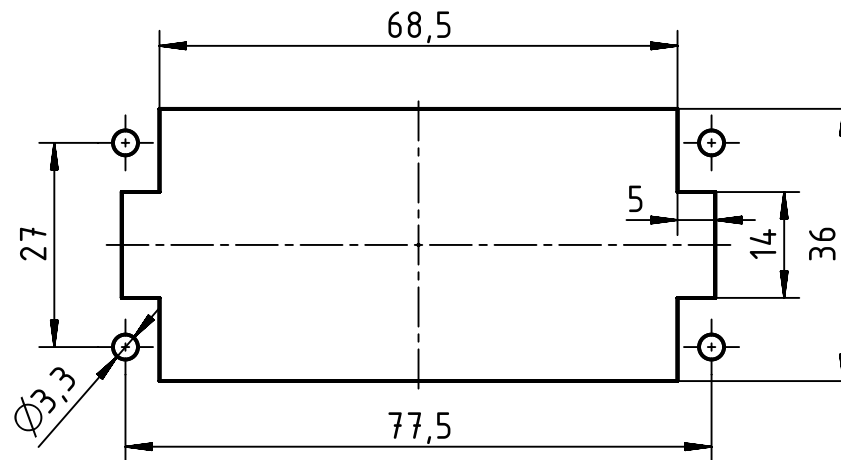
contact arrangement
(view from terminal side)



- working contacts
- ◐ relay contacts
- without contacts



panel cut out



	All Dimensions in mm Original Size DIN A4		Scale 1:1	Free size tol.		Ref. Sub. TB 09 34 006 2602.02 v. 29.07.2004		
		All rights reserved Department EL PD - DE		Created by KLASSEN P	Inspected by BERGHORN	Standardisation RUETERA	Date 2017-04-06	State Final Release
HARTING Electric GmbH & Co. KG D-32339 Espelkamp				Title Han HvE 6 Pos. M Insert Crimp			Doc-Key / ECM-Nr. 100124724/UGD/005/A 500000116818	
				Type TB	Number 09 34 006 2602		Rev. A	Page 1/1