

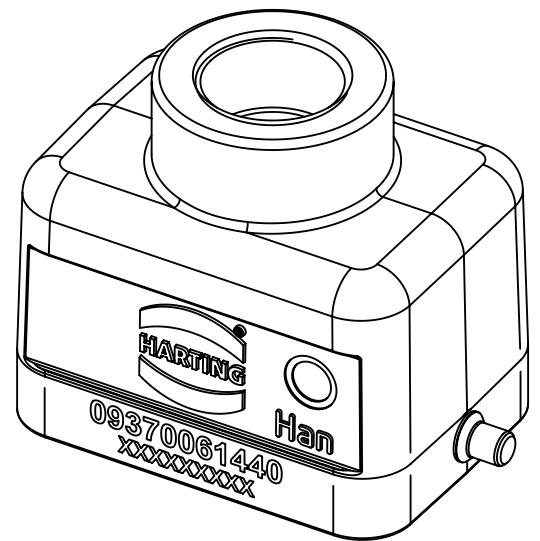
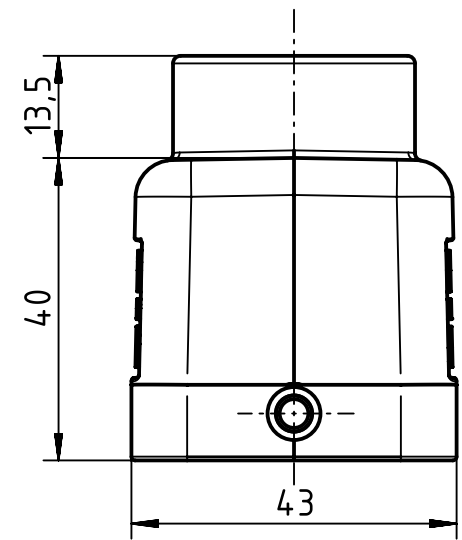
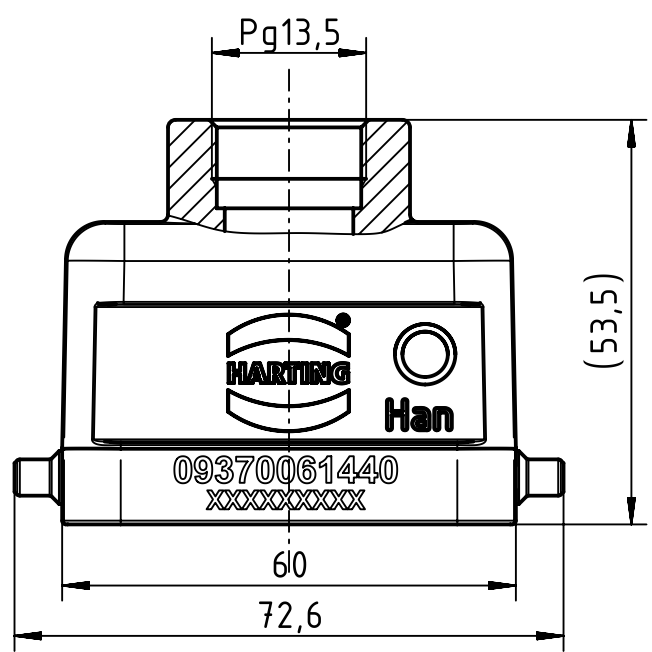
1 2 3 4 5 6

A

B

C

D



	All Dimensions in mm Original Size DIN A4	Scale 1:1		Free size tol.		Ref.	
						Sub.	
	All rights reserved Department EL PD - DE	Created by	Inspected by	Standardisation	Date	State	
		FINKEV	BERGHORN	SCHMIDTM	2015-08-18	Final Release	
HARTING Electric GmbH & Co. KG D-32339 Espelkamp		Title Han M Hood Top Entry LC 2 Pegs PG 13.5				Doc-Key / ECM-Nr. 100201259/UGD/004/C 500000093080	
		Type TB	Number 09 37 006 1440			Rev. C	Page 1/1