

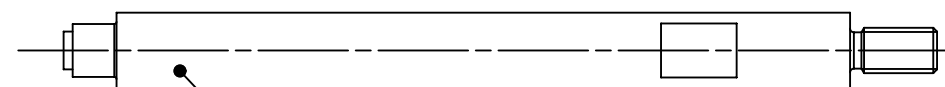
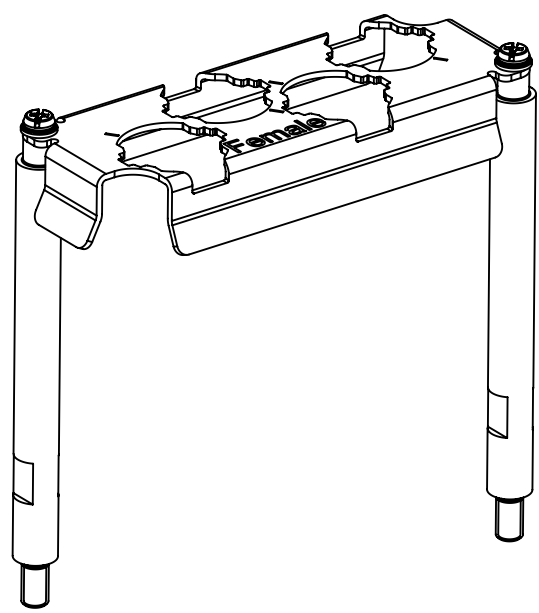
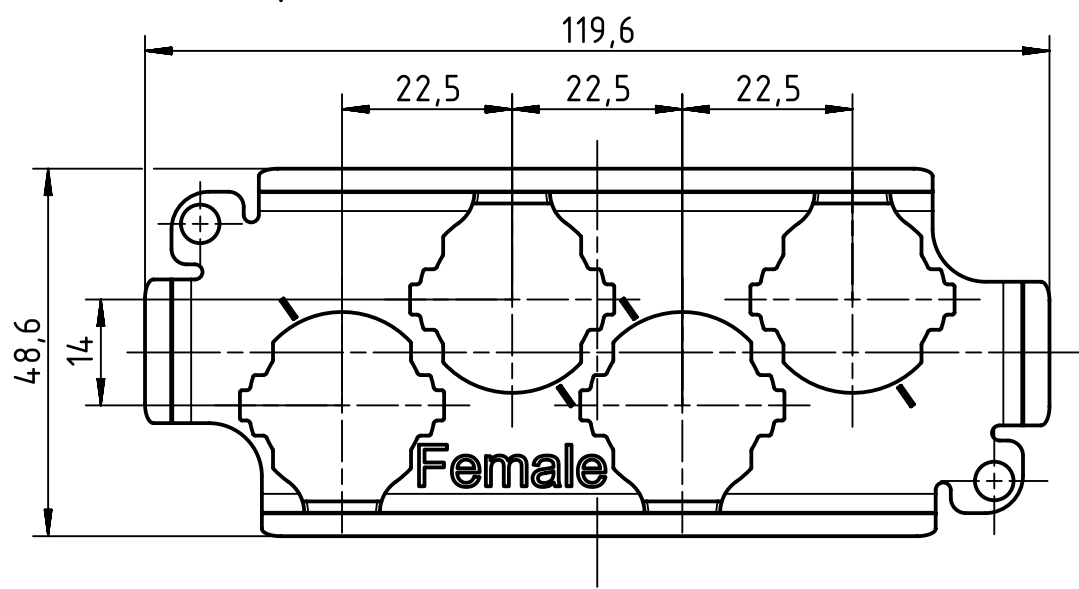
1 2 3 4 5 6

A

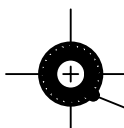
B

C

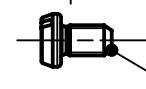
D



2x distance peg M6



2x Washer SK S4



2x Screw M4

	All Dimensions in mm Original Size DIN A4	Scale 1:1		Free size tol.		Ref.	
		Created by LONGL		Inspected by WENE		Standardisation SCHMIDTM	
	All rights reserved Department EL PD - CN	Title Frame Han 16HPR EasyCon Female 4xHC250				Doc-Key / ECM-Nr. 100686427/UGD/011/A 500000111149	
		HARTING Electric GmbH & Co. KG D-32339 Espelkamp		Type TB	Number 09 40 016 9904		Rev. A