

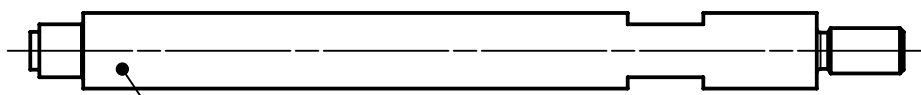
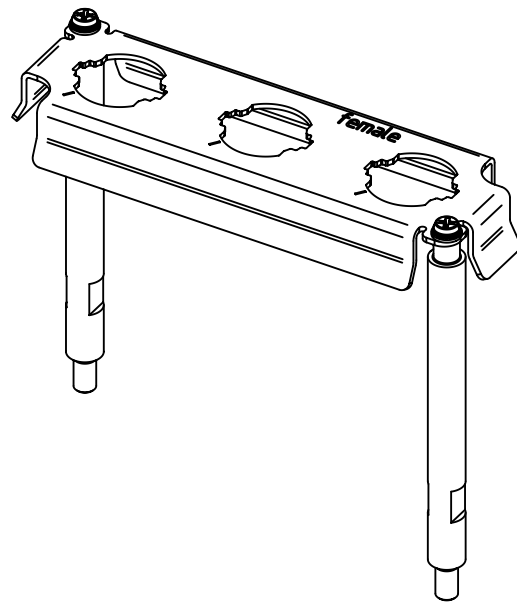
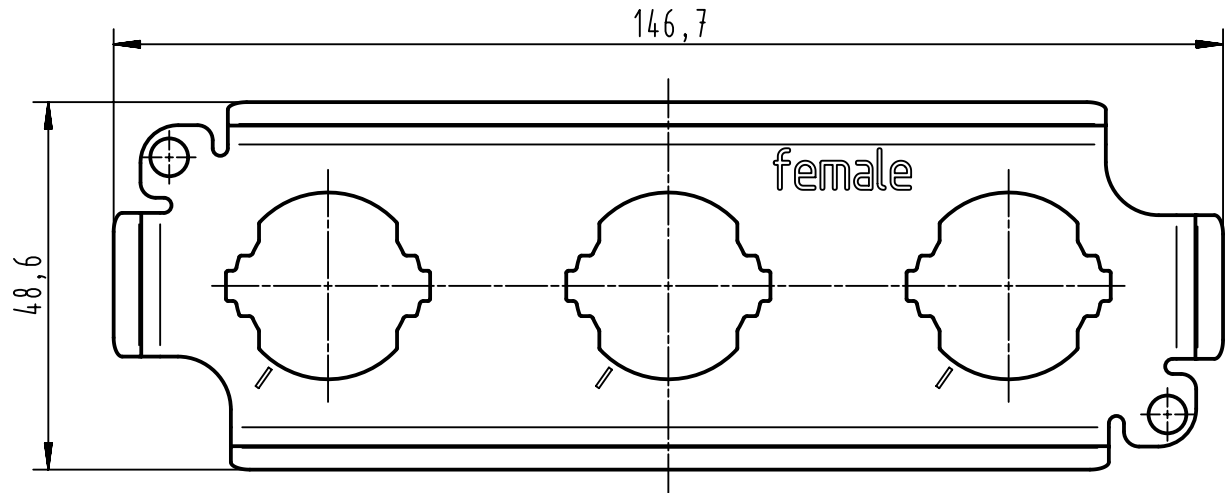
1 2 3 4 5 6

A

B

C

D



2x distance peg M6



2x screw M4



2x washer SK S4

	All Dimensions in mm Original Size DIN A4		Scale 1:1	Free size tol.		Ref.
						Sub.
	All rights reserved Department EL PD - DE		Created by GRUBES	Inspected by SCHLEPP	Standardisation TIEMANNA	Date 2013-09-23
	HARTING Electric GmbH & Co. KG D-32339 Espelkamp		Title Frame Han 24 HPR EasyCon female 3xHC250			State Final Release
			Type TB	Number 09 40 024 9902		Rev. B
						Page 1/1