

4x distance peg

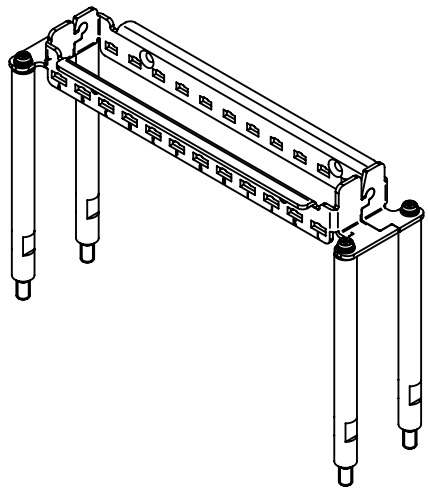


4x M4 screw



4x M4 washer

enclosed separately



	All rights reserved Department EL PD - DE HARTING Electric GmbH & Co. KG D-32339 Espelkamp	All Dimensions in mm Original Size DIN A4		Scale 1:2	Free size tol.	Ref. Sub.
		Created by GRUBES	Inspected by SCHLEGEL	Standardisation SCHMIDTM	Date 2016-06-24	State Final Release
Title Hinged frame 12xMod A-L Han34HPR EasyCon					Doc-Key / ECM-Nr. 100658057/UGD/001/B 500000105706	
Type TB		Number 09 40 034 9932			Rev. B	Page 1/1