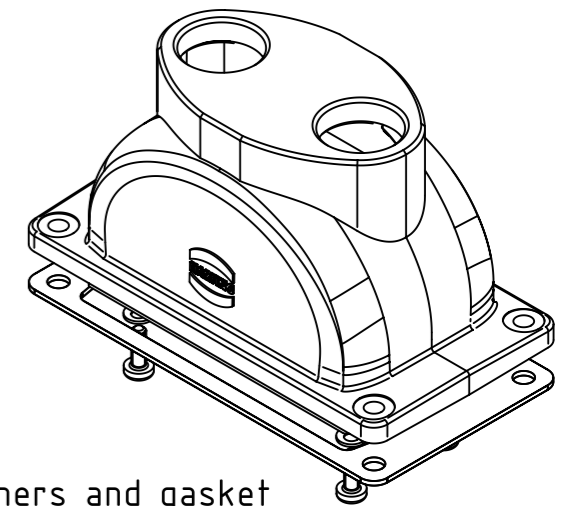
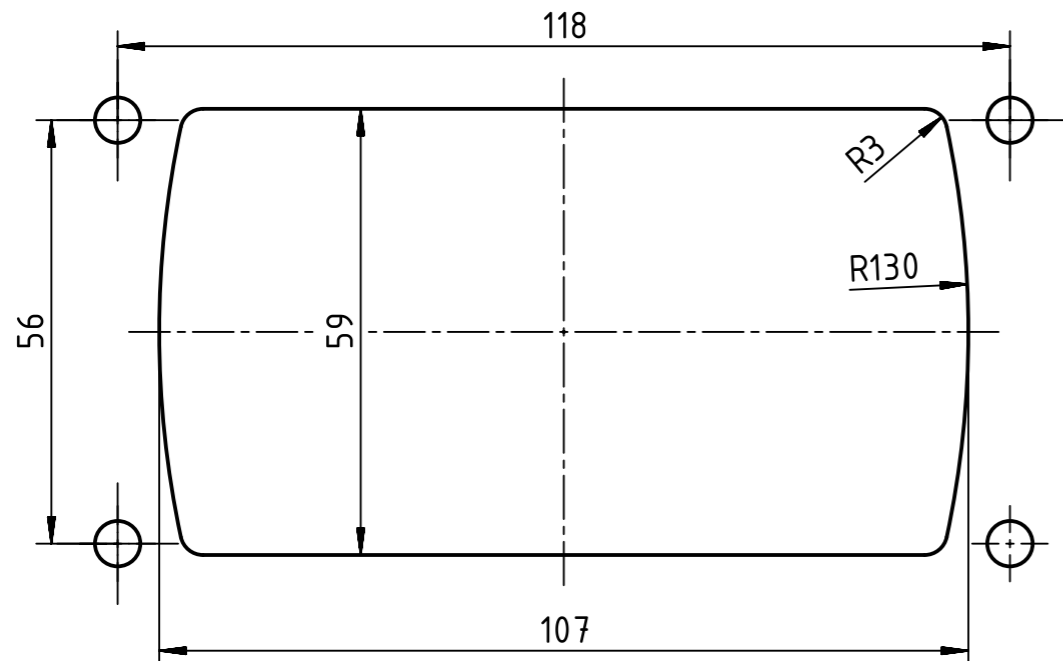



panel cut out



range of delivery: hood with M4 screws, washers and gasket

	All Dimensions in mm Original Size DIN A3		Scale 1:1	Free size tol.		Ref.
	All rights reserved Department EL PD - DE		Created by FINKEV	Inspected by SUNDERMEIER	Standardisation TIEMANNA	Date 2014-10-29
HARTING Electric GmbH & Co. KG D-32339 Espelkamp		Title Han-Yellock 60-feed through hood-2xM25			Doc-Key / ECM-Nr. 100550752/UGD/002/B 50000080818	
		Type TB	Number 11 12 600 1711		Rev. B	Page 1/1