

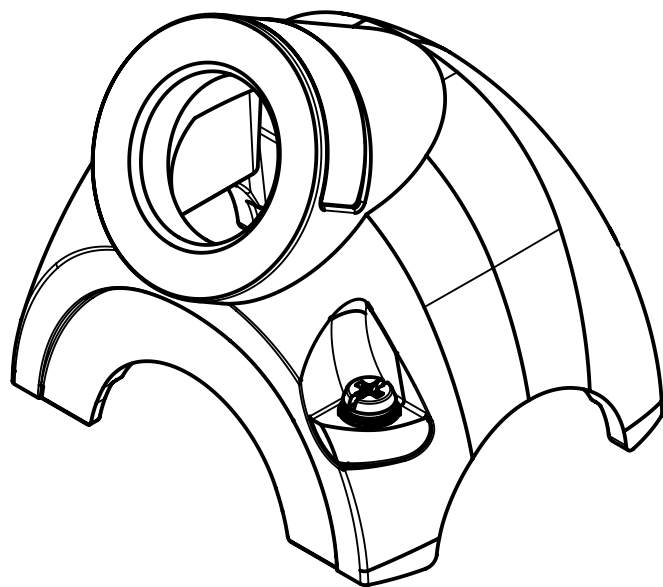
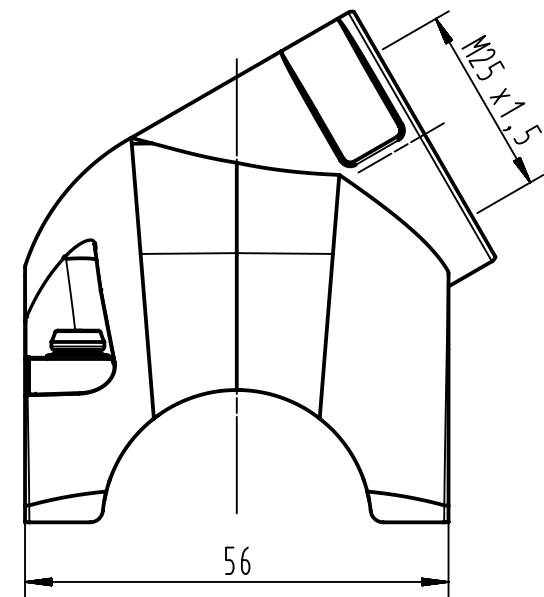
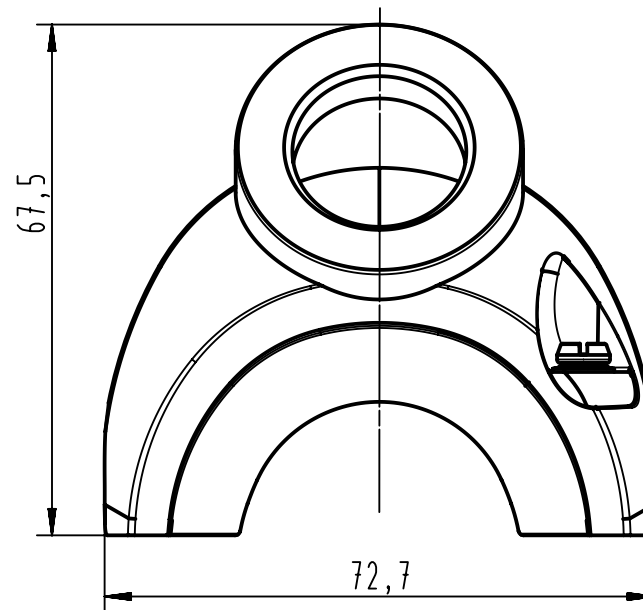
1 2 3 4 5 6

A


B

C

D



range of delivery: shell with M4 screws, washers and seals
to mount on carrier hood

	All rights reserved Department EL PD - DE HARTING Electric GmbH & Co. KG D-32339 Espelkamp	All Dimensions in mm Original Size DIN A4		Scale 1:1	Free size tol.	Ref. Sub.
		Created by FINKEV	Inspected by BERGHORN	Standardisation SCHMIDTM	Date 2012-11-28	State Final Release
Title Han-Yellock 30M-hood-M25 angled					Doc-Key / ECM-Nr. 100521682/UGD/002/A	
Type TB			Number 11 13 300 1601		Rev. A	Page 1/1