

cable
min. $\varnothing 13$
max. $\varnothing 21$

SW32
E33,4

M25x1,5

spring band clamp
enclosed separately

20

19,2

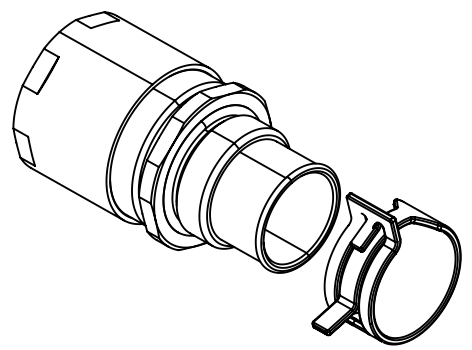
$\varnothing 19$

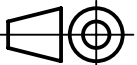

seal

9,5

36,5

22,9



	All Dimensions in mm Original Size DIN A4		Scale 1:1	Free size tol.		Ref.
			Created by RULLKOETTER	Inspected by SCHNIEDER	Standardisation RUETERA	Date 2017-04-19
All rights reserved Department EL PD - DE		Title Spec. Cable Gland M25 Cable-$\varnothing 13$-21 SBC			State Final Release	
HARTING Electric GmbH & Co. KG D-32339 Espelkamp		Type TB			Number 19 00 000 5019	
					Doc-Key / ECM-Nr. 100195535/UGD/005/A 500000118236	Rev. A
					Page 1/1	