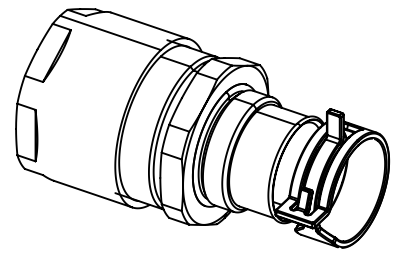
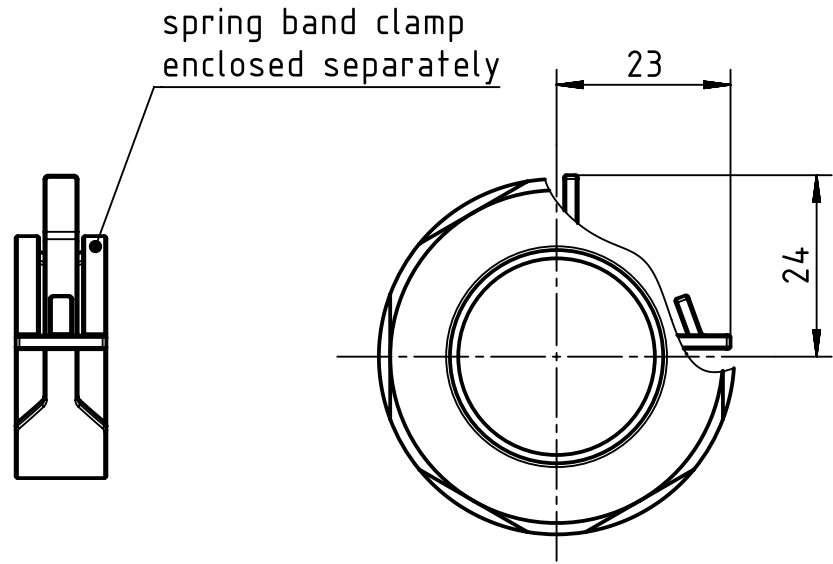
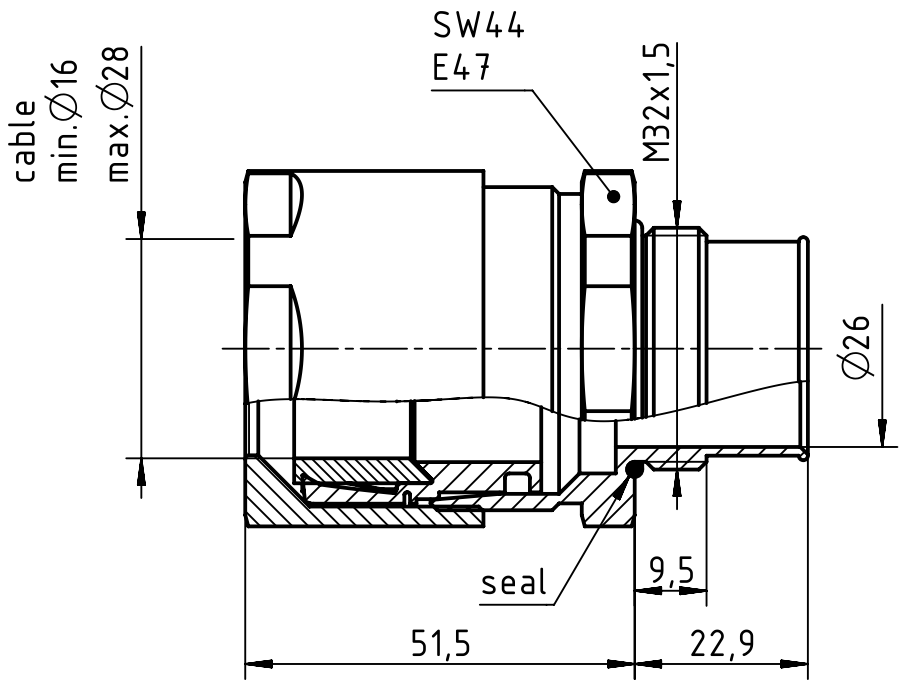


1 2 3 4 5 6

A
B
C
D



	All Dimensions in mm Original Size DIN A4	Scale 1:1		Free size tol.		Ref.	
						Sub.	
	All rights reserved Department EL PD - DE	Created by RULLKOETTER	Inspected by SCHNIEDER	Standardisation RUETERA	Date 2017-04-19	State Final Release	
		Title Spec.Cable Gland M32 Cable-Ø16-28 SBC					Doc-Key / ECM-Nr. 10019994.0/UGD/005/A 500000118236
HARTING Electric GmbH & Co. KG D-32339 Espelkamp		Type TB	Number 19 00 000 5022			Rev. A	Page 1/1