

M25x1,5

Ø4,6

15

64

80

11,3

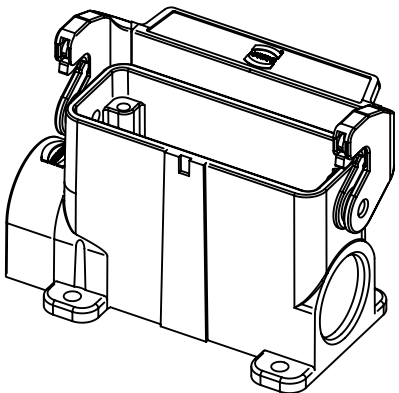
40


50

4

17

57



|   |  |  |                              |                          |                             |  |                        |             |
|---|--|--|------------------------------|--------------------------|-----------------------------|--|------------------------|-------------|
|  | All Dimensions in mm<br>Original Size DIN A4 |  | Scale<br>1:1                 | Free size tol.           |                             | Ref.<br>Sub.   |                        |             |
|   | All rights reserved<br>Department EL PD - DE |  | Created by<br>HARLASSK       | Inspected by<br>BERGHORN | Standardisation<br>TIEMANNA | Date<br>2016-04-18                                       | State<br>Final Release |             |
| HARTING Electric GmbH & Co. KG<br>D-32339 Espelkamp                                 |  |  | Title<br>Han 16A-asg1-LB-M25 |                          |                             | Doc-Key / ECM-Nr.<br>100186840/UGD/004/B<br>500000103184 |                        |             |
|   |  |  | Type<br>TB                   | Number<br>19 20 016 0251 |                             |  | Rev.<br>B              | Page<br>1/1 |