

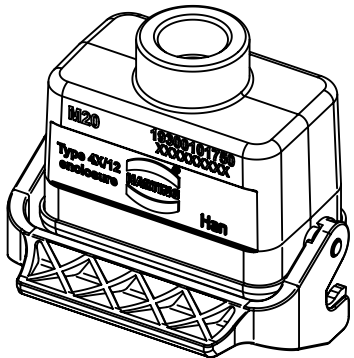
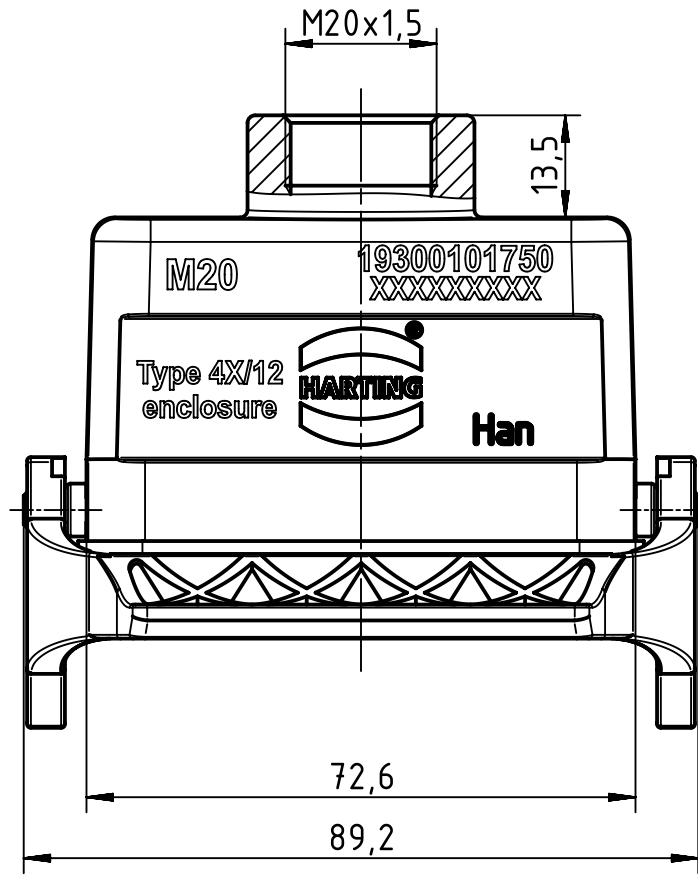
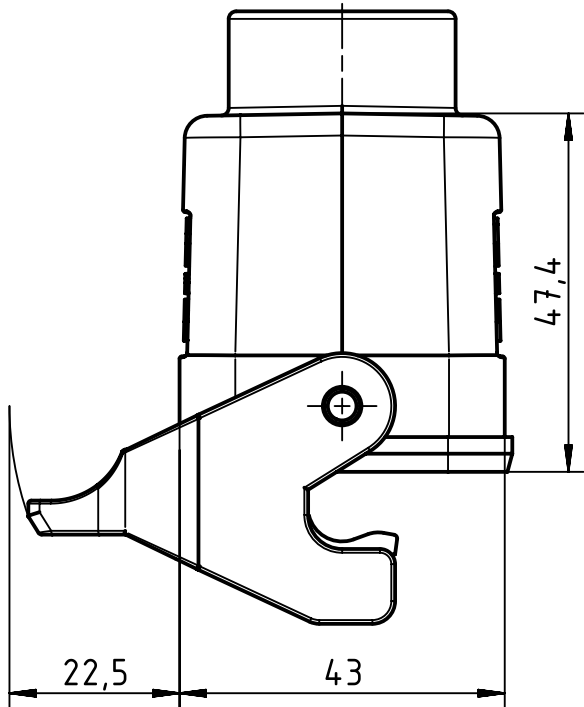
1 2 3 4 5 6

A

B

C

D



	All Dimensions in mm Original Size DIN A4		Scale 1:1	Free size tol.		Ref.
			Created by FINKEV	Inspected by BERGHORN	Standardisation TIEMANNA	Sub.
All rights reserved Department EL PD - DE		Title Han 10B-kg-LB-M20		Date 2017-03-09	State Final Release	
HARTING Electric GmbH & Co. KG D-32339 Espelkamp		Type TB		Number 19 30 010 1750		Doc-Key / ECM-Nr. 100192189/UGD/004/B 500000116489
					Rev. B	Page 1/1