

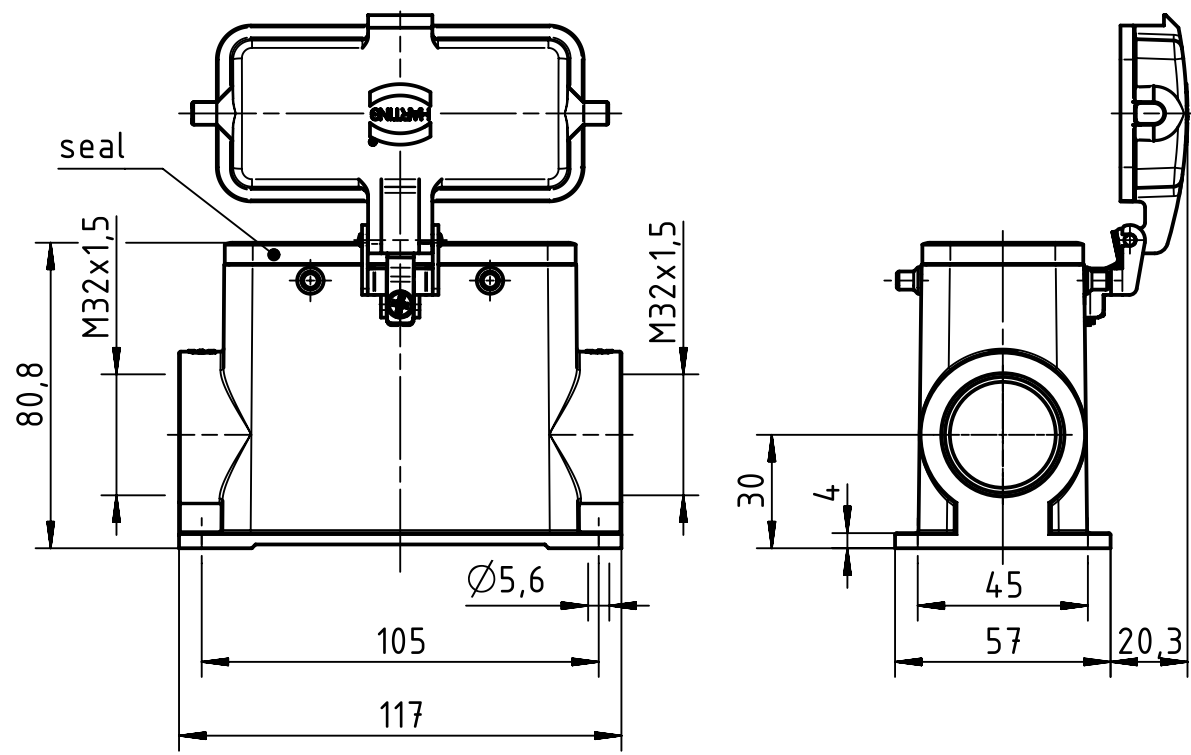
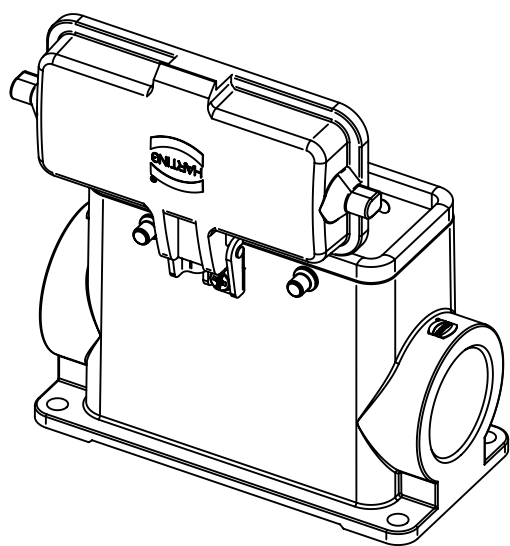
1 2 3 4 5 6

A

B

C

D



	All Dimensions in mm Original Size DIN A4		Scale 1:1		Free size tol.		Ref.	
							Sub.	
	All rights reserved		Created by FINKEV	Inspected by BERGHORN	Standardisation SCHMIDTM	Date 2016-06-01	State Final Release	
	Department EL PD - DE		Title Han B Base SM HC 4 Peg plast cover 2xM32				Doc-Key / ECM-Nr. 100211546/UGD/004/A 500000104878	
HARTING Electric GmbH & Co. KG D-32339 Espelkamp			Type TB	Number 19 30 016 0267			Rev. A	Page 1/1