

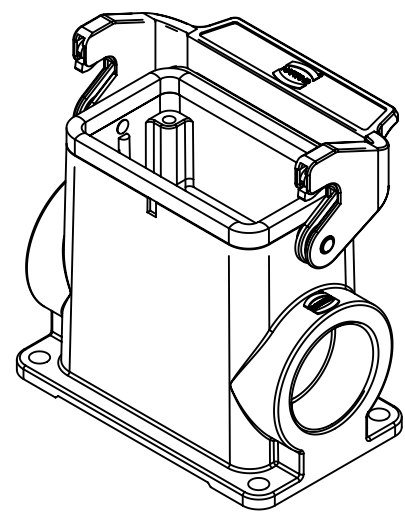
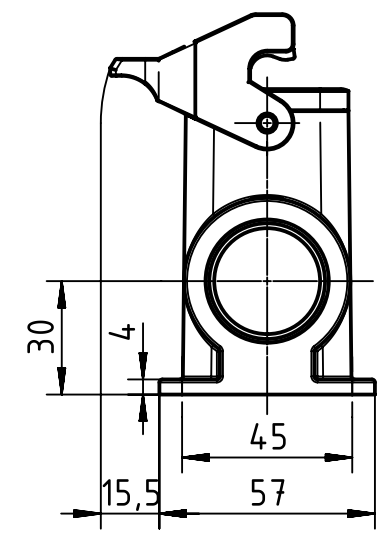
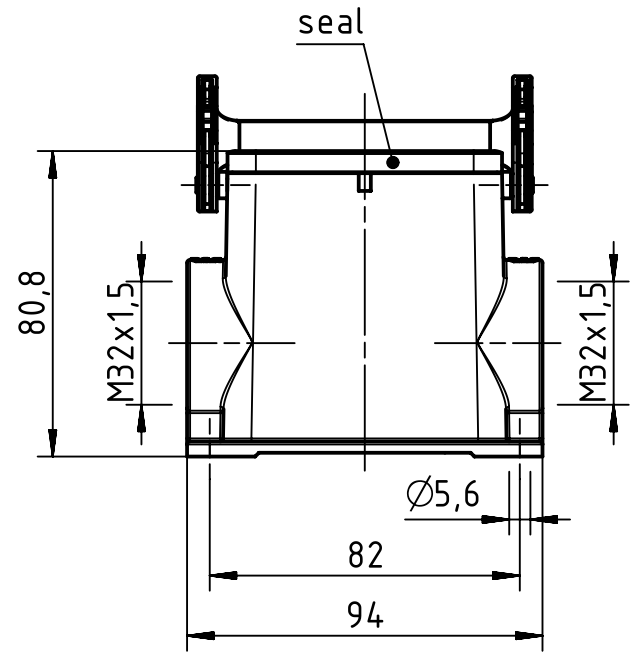
1 2 3 4 5 6

A

B

C

D



	All Dimensions in mm Original Size DIN A4		Scale 1:2	Free size tol.		Ref.
						Sub.
	All rights reserved		Created by SPRENB	Inspected by BERGHORN	Standardisation TIEMANNA	Date 2014-01-30
	Department EL PD - DE		Title Han 10B-HMC-asg2-LB-M32			State Final Release
HARTING Electric GmbH & Co. KG D-32339 Espelkamp			Type TB	Number 19 30 210 0292		Doc-Key / ECM-Nr. 100522502/UGD/002/B 500000071121
					Rev. B	Page 1/1