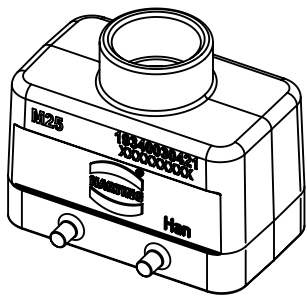
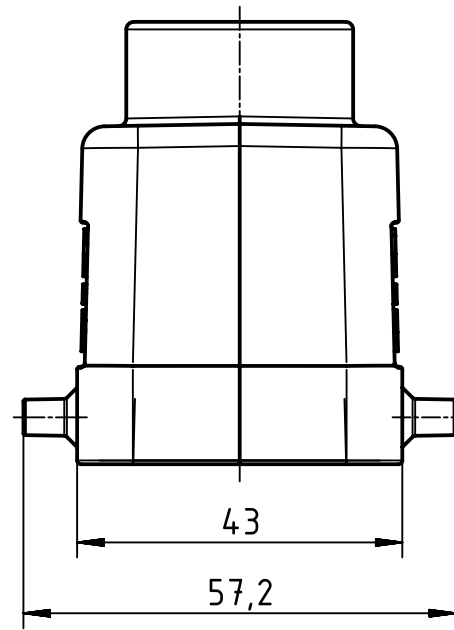
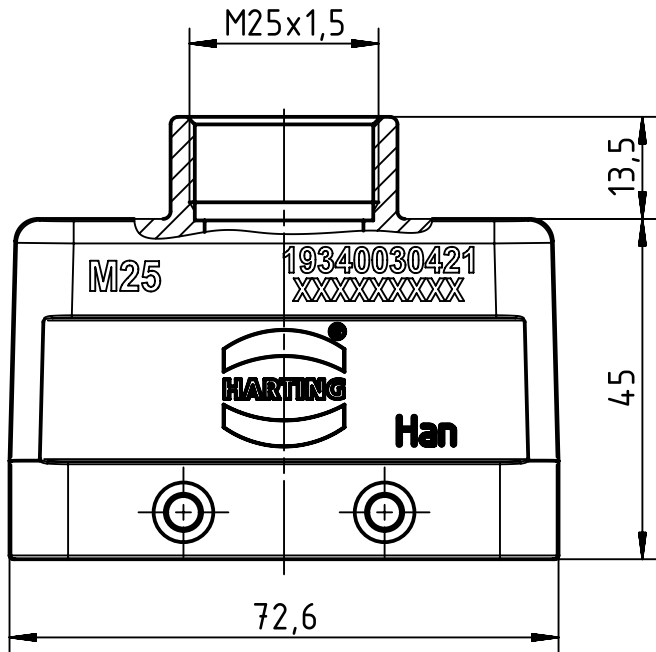


A

B

C

D



	All Dimensions in mm Original Size DIN A4		Scale 1:1	Free size tol.		Ref.		
						Sub.		
	All rights reserved		Created by FINKEV	Inspected by BERGHORN	Standardisation TIEMANNA	Date 2017-03-09	State Final Release	
	Department EL PD - DE		Title Han 3HvE-gg-M25				Doc-Key / ECM-Nr. 100192192/UGD/004/B 500000116489	
HARTING Electric GmbH & Co. KG D-32339 Espelkamp			Type TB	Number 19 34 003 0421			Rev. B	Page 1/1