

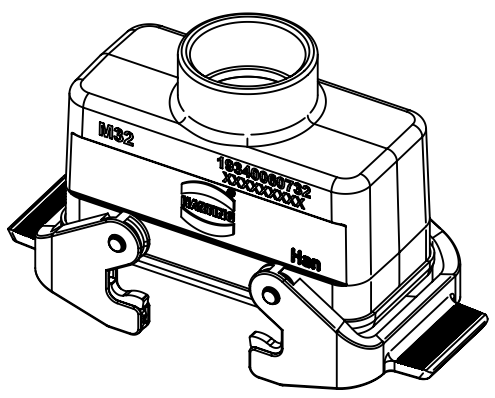
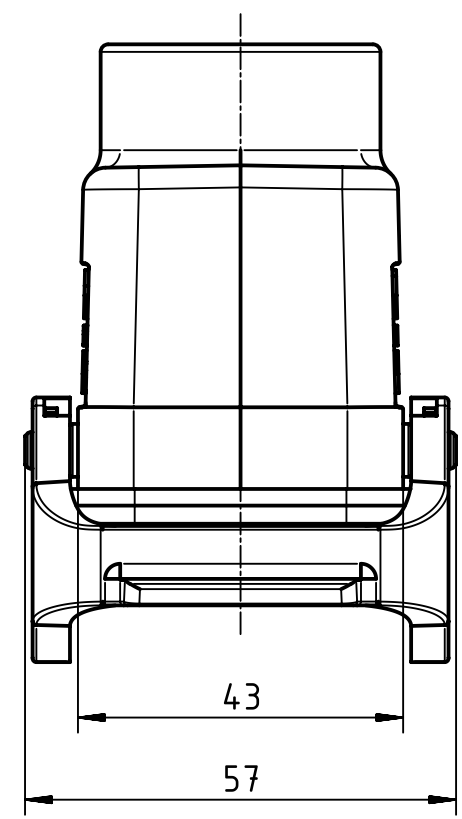
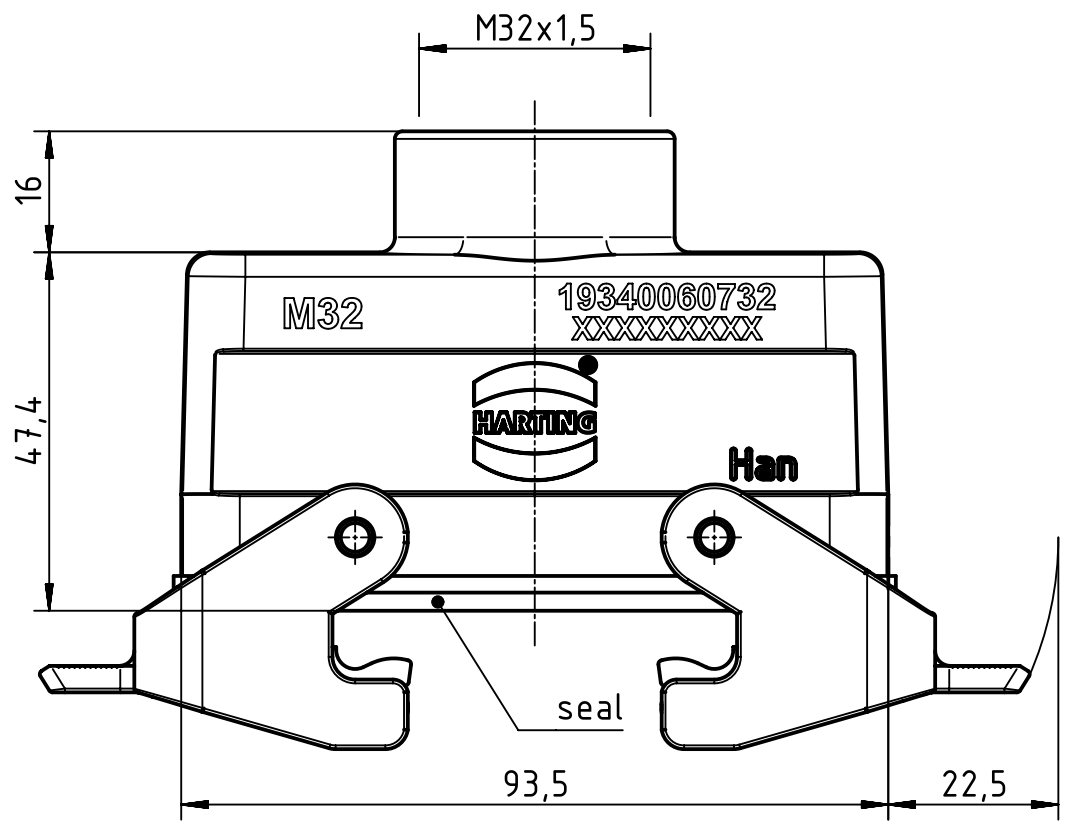
1 2 3 4 5 6

A

B

C

D



	All Dimensions in mm Original Size DIN A4		Scale 1:1	Free size tol.		Ref.
						Sub.
	All rights reserved		Created by FINKEV	Inspected by BERGHORN	Standardisation TIEMANNA	Date 2017-01-17
	Department EL PD - DE		Title Han 6HvE-kg-QB-M32		State Final Release	
HARTING Electric GmbH & Co. KG D-32339 Espelkamp			Type TB	Number 19 34 006 0732		Doc-Key / ECM-Nr. 100193887/UGD/004/B 500000111912
					Rev. B	Page 1/1