

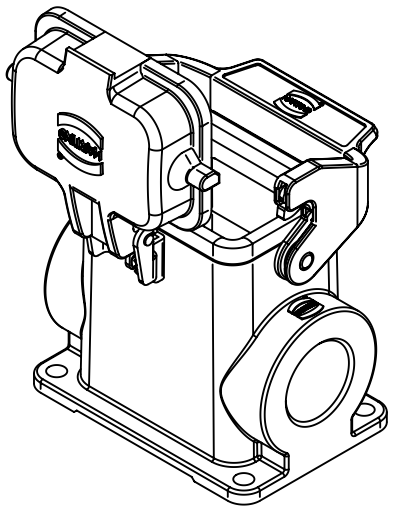
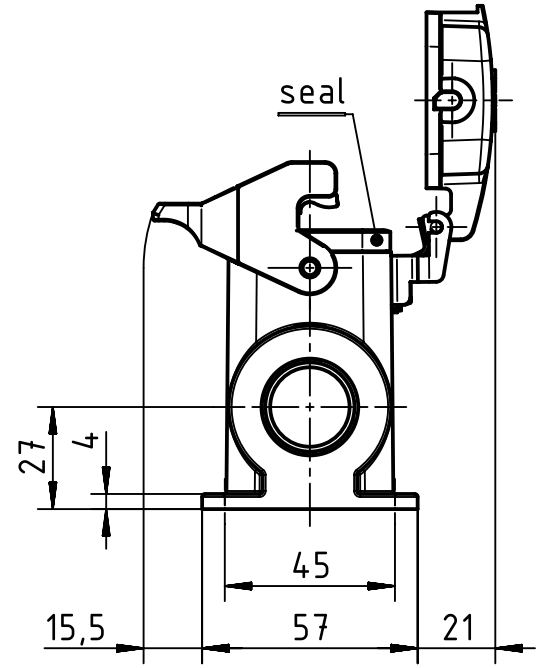
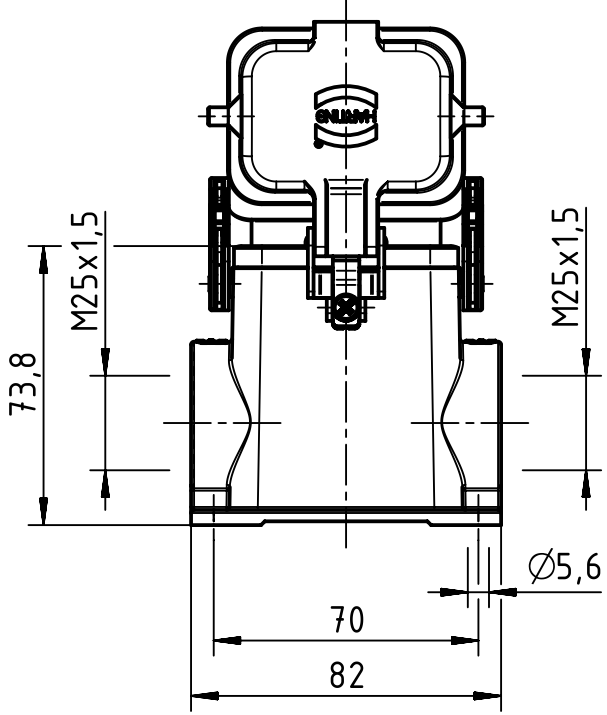
1 2 3 4 5 6

A

B

C

D



	All Dimensions in mm Original Size DIN A4		Scale 1:2	Free size tol.		Ref.
						Sub.
	All rights reserved		Created by GRUBES	Inspected by TIEMANNA	Standardisation SCHMIDTM	Date 2014-07-02
	Department EL PD - DE					State Final Release
HARTING Electric GmbH & Co. KG D-32339 Espelkamp			Title Han 6M-asg2-LB-K-M25			Doc-Key / ECM-Nr. 100207218/UGD/004/A 500000076187
			Type TB	Number 19 37 006 0296		Rev. A Page 1/1