

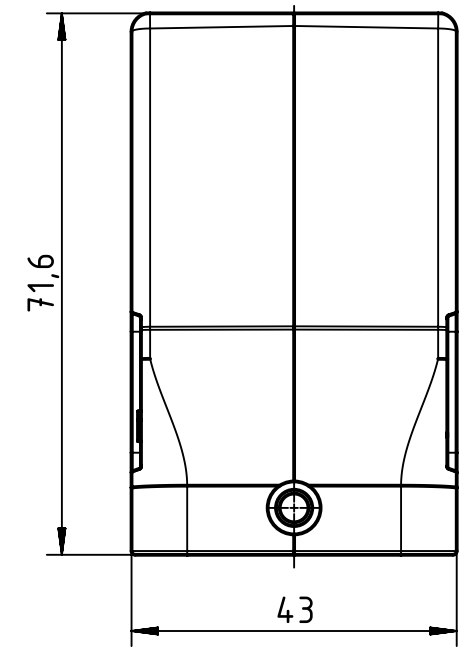
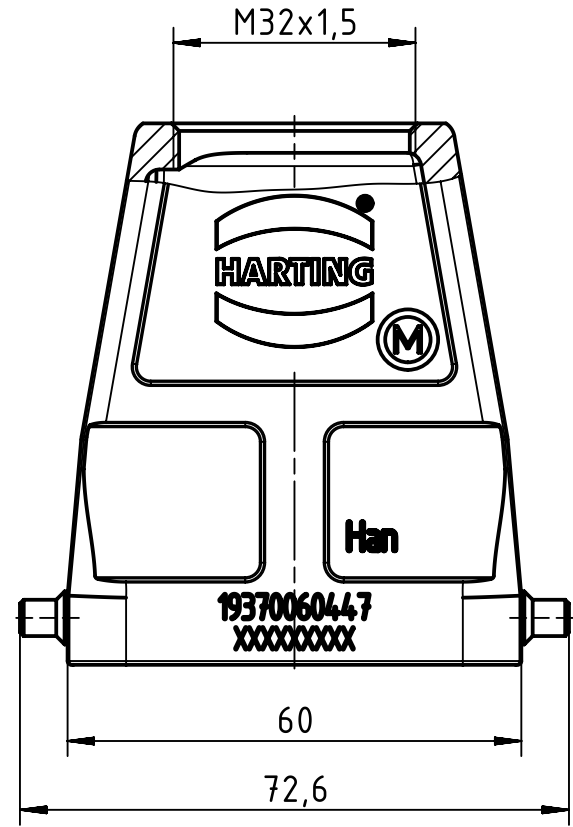
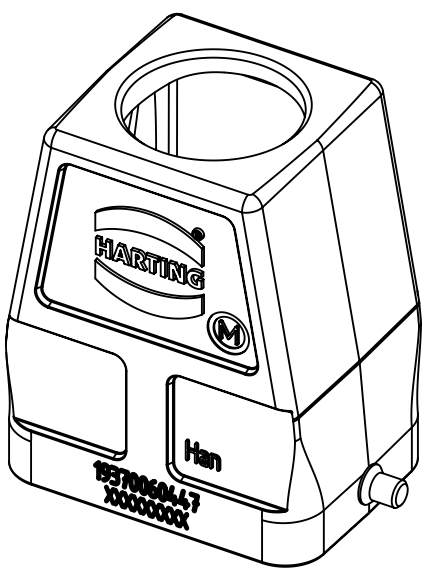
1 2 3 4 5 6

A

B

C

D



	All Dimensions in mm Original Size DIN A4	Scale 1:1		Free size tol.		Ref.	
						Sub.	
	All rights reserved Department EL PD - DE	Created by RULLKOETTER	Inspected by BERGHORN	Standardisation TIEMANNA	Date 2013-09-17	State Final Release	
		Title Han M Hood Top Entry LC 2 Pegs M32					Doc-Key / ECM-Nr. 100125962/UGD/005/A 500000066417
HARTING Electric GmbH & Co. KG D-32339 Espelkamp		Type TB	Number 19 37 006 0447			Rev. A	Page 1/1