

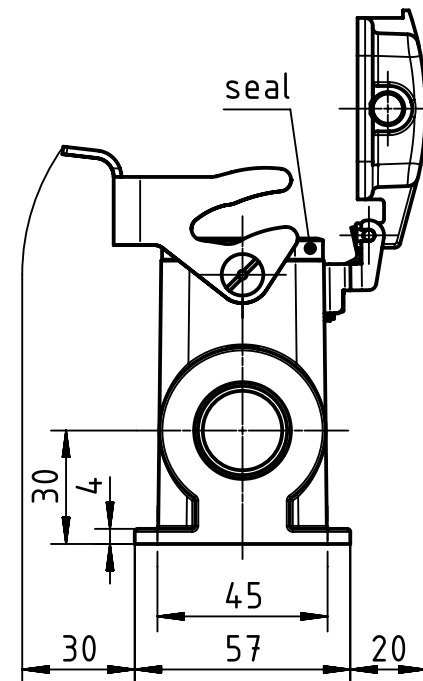
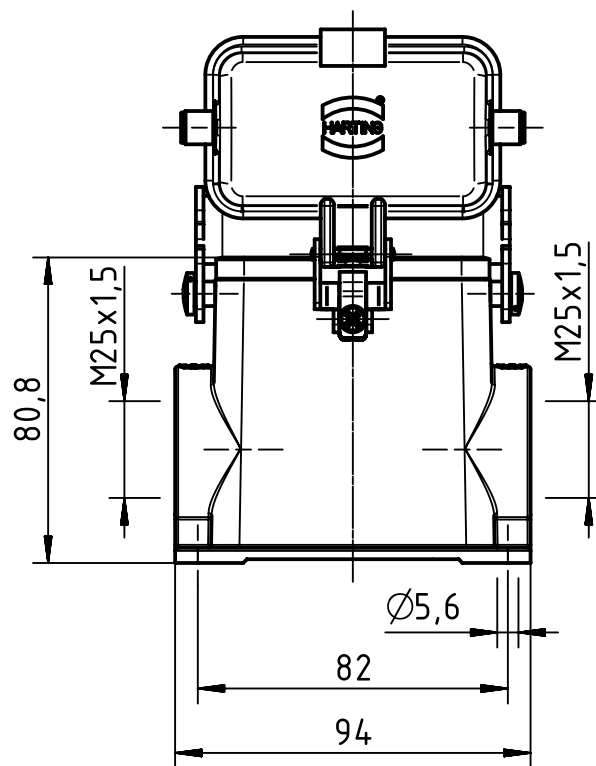
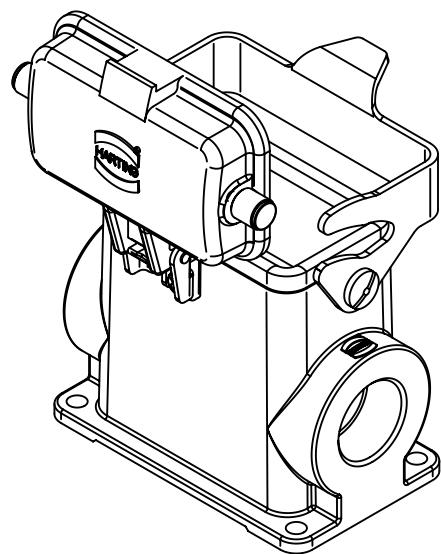
1 2 3 4 5 6

A

B

C

D



	All Dimensions in mm Original Size DIN A4		Scale 1:2	Free size tol.		Ref.
						Sub.
	All rights reserved		Created by SPRENB	Inspected by BERGHORN	Standardisation TIEMANNA	Date 2014-01-30
	Department EL PD - DE					State Final Release
HARTING Electric GmbH & Co. KG D-32339 Espelkamp			Title Han 10M-asg2-LB-K-M25 (Ak in Al)			Doc-Key / ECM-Nr. 100192093/UGD/004/A 500000071121
			Type TB	Number 19 37 010 0296		Rev. A Page 1/1