

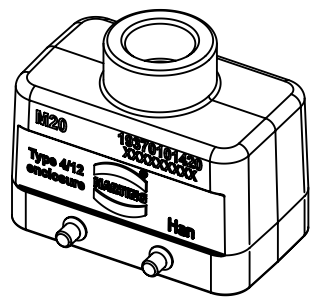
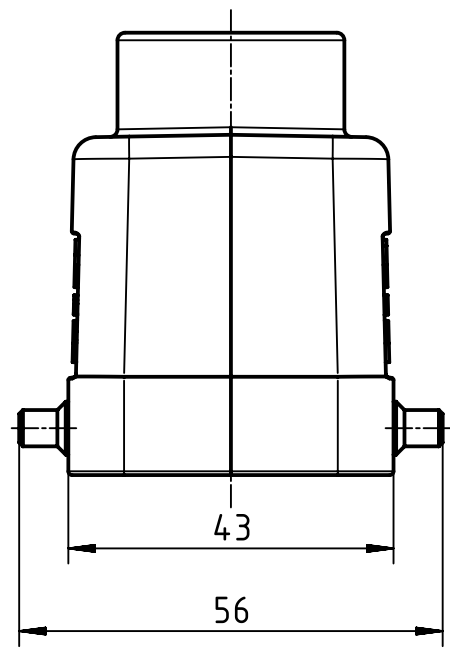
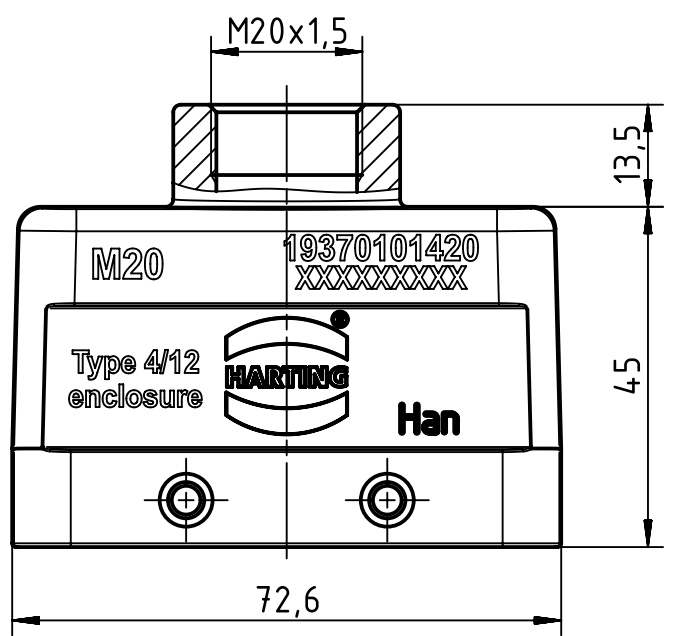
1 2 3 4 5 6

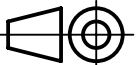

A

B

C

D



 All Dimensions in mm Original Size DIN A4	Scale 1:1		Free size tol.		Ref.	
	Created by FINKEV		Inspected by BERGHORN		Standardisation TIEMANNA	
 All rights reserved Department EL PD - DE	Date 2017-03-09		State Final Release		Doc-Key / ECM-Nr. 100192198/UGD/004/C 500000116489	
	Title Han 10M-gg-M20				Rev. C	
HARTING Electric GmbH & Co. KG D-32339 Espelkamp		Type TB	Number 19 37 010 1420		Page 1/1	