

1 2 3 4 5 6

A

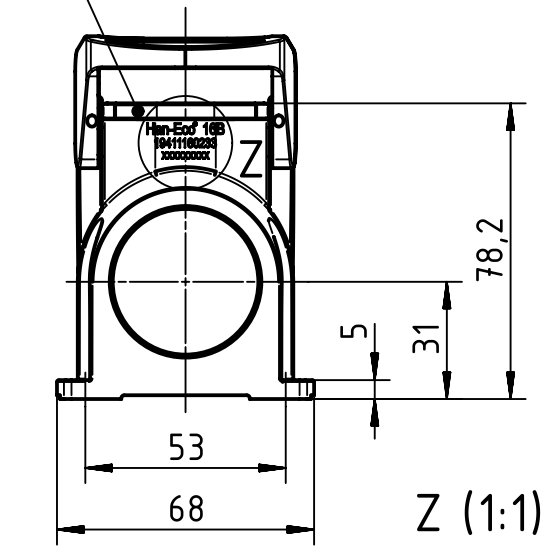
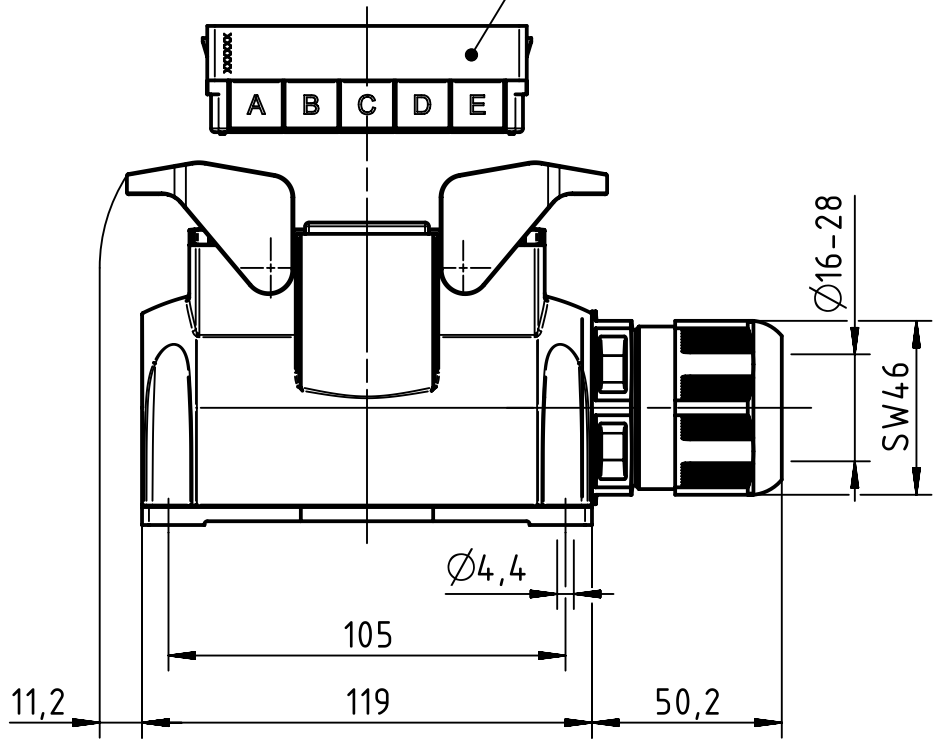
B

C

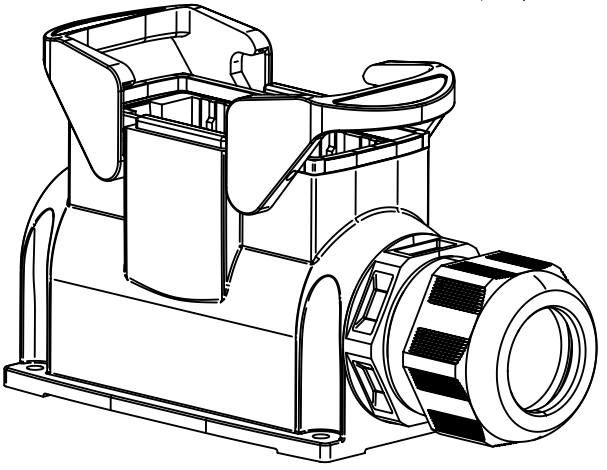
D

adapter frame

seal



Z (1:1)



adapter frame and cable gland are enclosed

	All Dimensions in mm Original Size DIN A4		Scale 1:2	Free size tol.		Ref.
						Sub.
	All rights reserved		Created by DICK	Inspected by HERBRECHTSME	Standardisation TIEMANNA	Date 2016-02-29
	Department EL PD - DE		Title Han-Eco 16B asg1 M40 with cable gland			State Final Release
HARTING Electric GmbH & Co. KG D-32339 Espelkamp			Type TB	Number 19 41 116 0233		Doc-Key / ECM-Nr. 100222559/UGD/006/D 500000096768
					Rev. D	Page 1/1