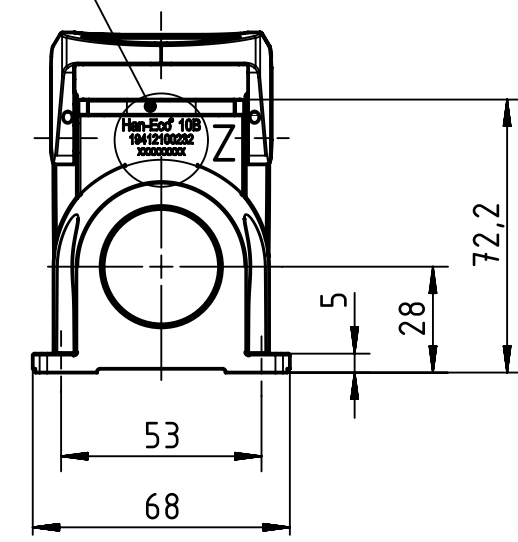
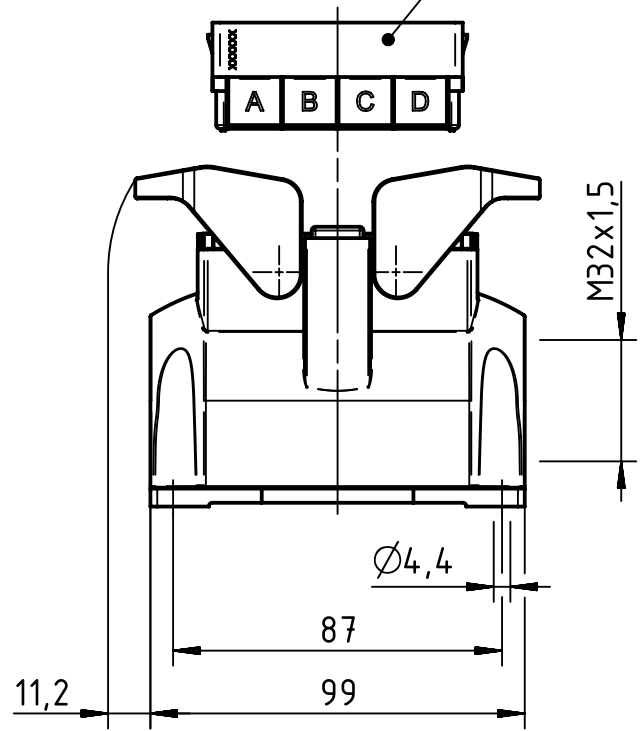
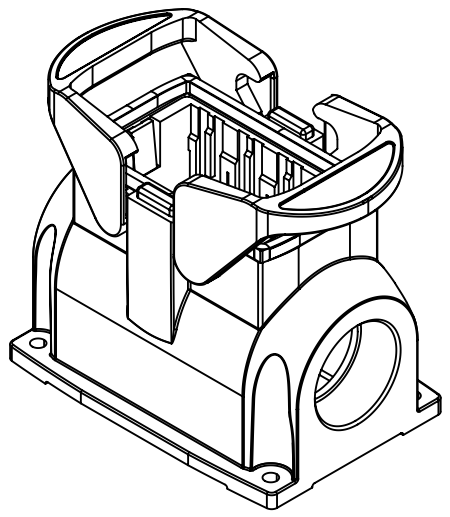


adapter frame

seal



Z (1:1)
Han-Eco® 10B
19412100232
xxxxxxxx



adapter frame is enclosed

	All rights reserved Department EL PD - DE HARTING Electric GmbH & Co. KG D-32339 Espelkamp	All Dimensions in mm Original Size DIN A4		Scale 1:2	Free size tol.	Ref. Sub.
		Created by DICK	Inspected by HERBRECHTSME	Standardisation TIEMANNA	Date 2016-02-29	State Final Release
Title Han-Eco 10B asg1 M32 outdoor					Doc-Key / ECM-Nr. 100216496/UGD/008/E 500000096768	
Type TB			Number 19 41 210 0232		Rev. E	Page 1/1